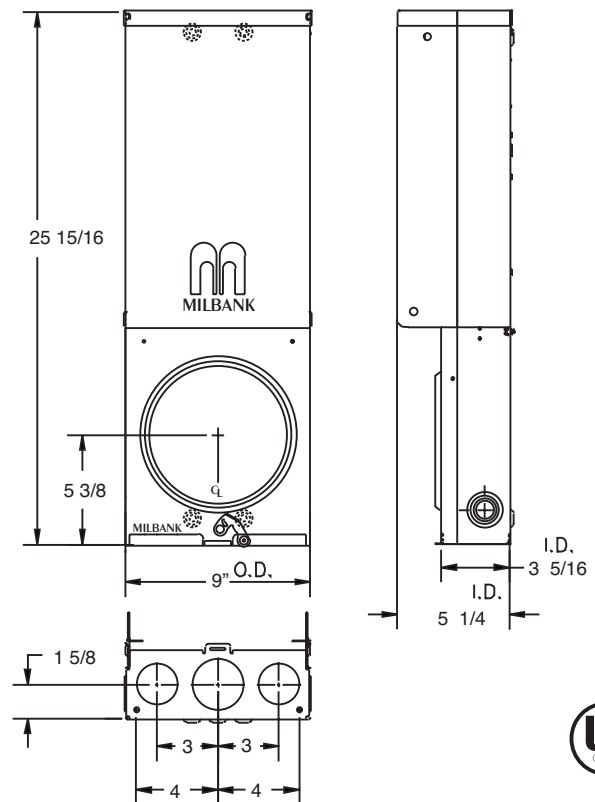


Temporary Power Solutions

Underground Service Power Outlet



SPECIFICATIONS

- Available in ringless style (**U4908** series) or ring type (**U4909** series)
- UL Listed 100 Amp, 120/240 Volt – 1Ø Underground Service Power Outlet
- Short circuit current withstand rating 10,000 RMS symmetrical amperes
- Type 3R welded enclosure for durable outdoor use
- Enclosure constructed with galvanized 16 gauge steel
- ASA 61 grey polyester powder coat finish
- Convenient concentric knock-out configurations and mounting embosses
- Wire terminations accept copper or aluminum conductors
Service-Line & Neutral: (1) #6-2/0 Load Ground: (2) 1/0-#14 & (4) #6-#14
Load Neutral: (2) 1/0-#14 & (4) #6-#14 Service Ground: #2-#8
- Six circuit plated copper interior accepts standard plug-in type circuit breakers
- Three position **self-grounded** receptacle bridge accepts most standard NEMA receptacles with mounting plates
- Four terminal, ringless meter socket with stainless steel locking hasp. Ring type socket has aluminum **MR-2** snap action sealing ring
- Lockable hinge cover and deadfront are removable for installation and maintenance. Stay-open hinge cover has safety interlock on deadfront. Deadfront must be removed before hinge cover can be removed
- Tamper proof fastening available

816-483-5314 phone

816-483-6357 fax

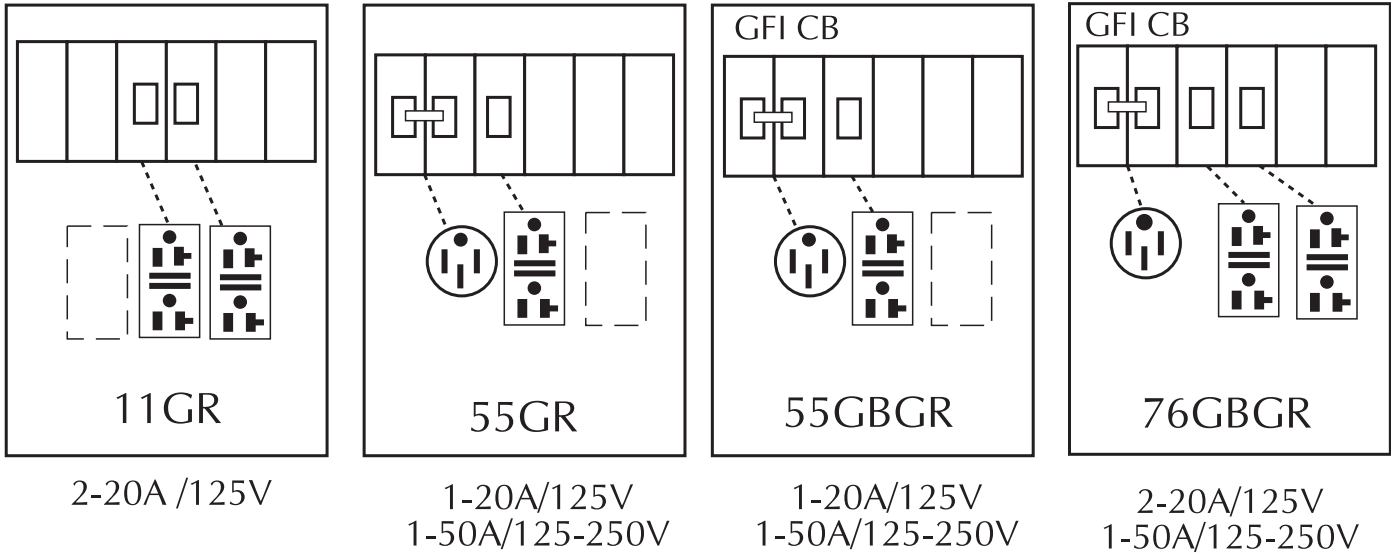
www.milbankmfg.com

4908 2/09



MILBANK[®]

U4908 / U4909 STANDARD CONFIGURATIONS



ORDERING INFORMATION

CATALOG #	SOCKET TYPE	DESCRIPTION
U4908-O-(*)	Ringless	(* Add suffix from above chart to complete catalog number (ie: 4908-O-11GR)
U4908-O	Ringless	Order base model and up to three factory installed receptacle/breaker kit separately from list below. Other kits available. Consult factory.
U4909-O-(*)	Ring type	(* Add suffix from above chart to complete catalog number (ie: 4909-O-11GR)
U4909-O	Ring type	Order base model and up to three factory installed receptacle/breaker kit separately from list below. Other kits available. Consult factory.

RECEPTACLE & CIRCUIT BREAKER KITS

CATALOG NUMBER	AMP	BLADE	VOLTAGE	NEMA CONFIG.	TYPE	CIRCUIT BREAKER TYPE
K5400-520	20	Straight	120	5-20	Std. Duplex	20 Amp 1 Pole
K5400-520GR	20	Straight	120	5-20	GFI Duplex	20 Amp 1 Pole
K5400-620	20	Straight	240	6-20	Single	20 Amp 2 Pole
K5400-620GB	20	Straight	240	6-20	Single	20 Amp 2 Pole GFI
K5400-1450	50	Straight	120/240	14-50	Single	50 Amp 2 Pole
K5400-1450GB	50	Straight	120/240	14-50	Single	50 Amp 2 Pole GFI

Flat cover may not close completely with twist locking devices in use.

*Order slope-front 3R cover # **1107681** separately to use with twist lock type receptacles.*



Utility requirements for this equipment vary. Always consult the serving utility or local code enforcement for their code requirements before ordering or installing this equipment.

