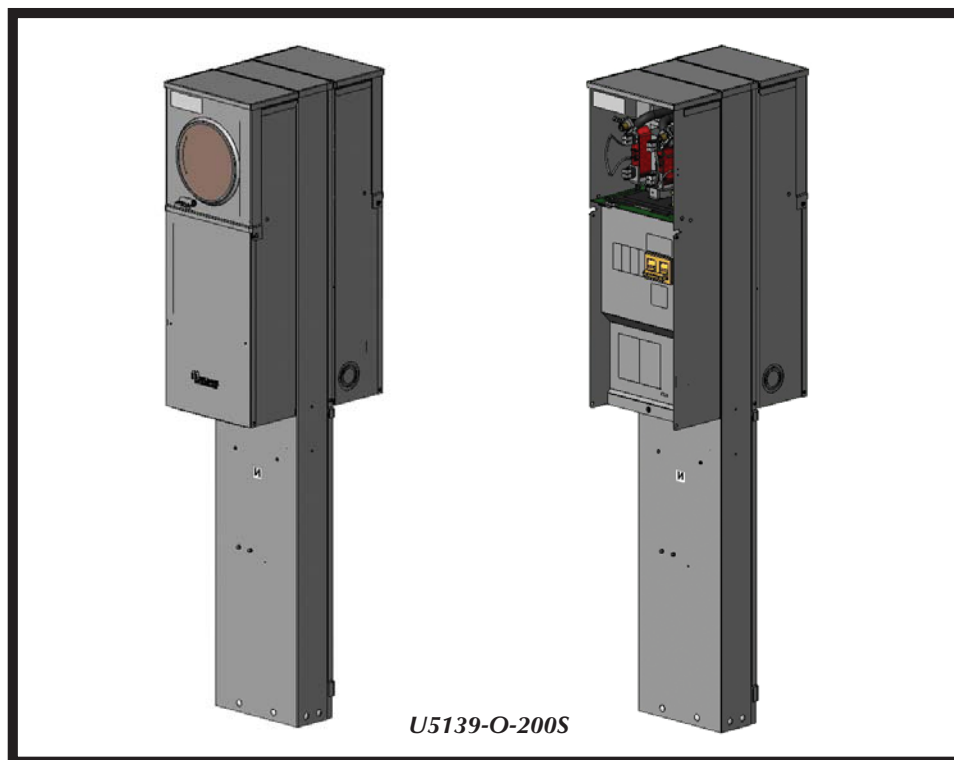


Versa-Ped Service Pedestals

U5139-0-200S Austin Energy Approved



SPECIFICATIONS

- UL listed File E90945
- 200 amp maximum, 120/240 volt, single phase, three wire meter socket
- (2) ringless meter sockets with horn bypass and stainless steel latches
- Pad mount installation only – requires **K5035** Pad Mounting Kit – sold separately
- Short circuit withstand rating 10 KAIC.
- Type 3R construction for durable outdoor use, one piece post – lockable and sealable
- Milbank grey polyester powder coat finish
- Wire terminations accept copper or aluminum conductors
- Line & Neutral: (2) #6-350 kcmil per phase
- Line Ground: (4) #14-1/0
- Load (CB): 2/0 to 300 kcmil per pole
- Load Neutral: (1) #6-350 kcmil
- Load Ground: (2) #14-1/0, (4) #14/6
- Milbank 200 amp plug-in main circuit breaker factory installed on each side: type **UQFP-M**
- Four-circuit plated copper interior accepts (2) 2-pole or (4) 1-pole universal standard plug-in type circuit breakers up to a total of 125 amps maximum.
- Factory or field installable receptacle bridge and receptacle / circuit breaker kits available – see accessories.

816.483.5314 phone

816.483.6357 fax

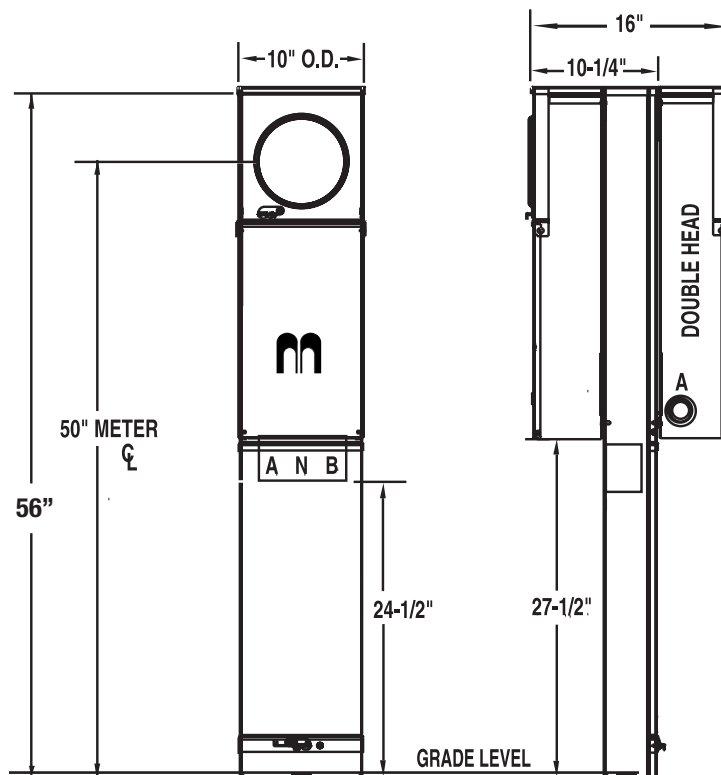
www.milbankmfg.com



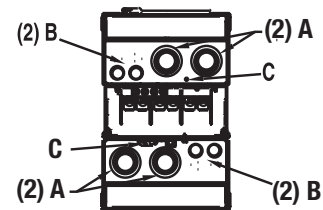
MILBANK[®]



Series wired main shown with optional K5400-520GR kit



KO's
 A = 1, 1-1/4, 1-1/2, 2
 B = 1/2, 3/4
 C = 1/4 SOLID

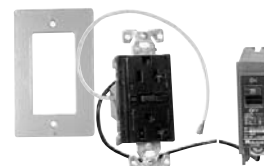
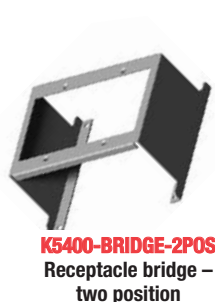


Bottom view

RECEPTACLE / CIRCUIT BREAKER KITS AND ACCESSORIES ORDERING INFORMATION (PER SIDE)

CATALOG #	RECEPTACLE	CIRCUIT BREAKER	CONDUCTOR	CONFIGURATION
◆ K5400-520GR	5-20R Duplex GFI	20 Amp, 1 Pole	12 Awg	GFI Rec.
◆ K5400-620	6-20R (2)	20 Amp, 2 Pole	10 Awg	
◆ K5400-1450	14-50R	50 Amp, 2 Pole	8 Awg	
◆ K5400-BRIDGE-1POS	Self-grounded one position receptacle bridge with hardware			
◆ K5400-BRIDGE-2POS	Self-grounded two position receptacle bridge with hardware			
◆ K5035	Pad Mount Kit with hardware for U5139 pad mount pedestals—REQUIRED – sold separately			
◆ K5T	5th Terminal for 208y / 120 volt 3-wire service (1 required for each meter socket)			

- Up to two receptacle / circuit breaker kits can be field-installed in each powerhead. Order mounting bridge and receptacle kits separately from above. Other kits available – consult factory.
- Receptacle / circuit breaker kits include receptacle, circuit breaker, connected wire, cover plate and mounting screws. Other receptacle / circuit breaker kits available.
- Pad mount pedestals require **K5035** pad mount kit. Order separately.
- ◆ Stock item – availability subject to prior sale.



K5400-520GR
20 amp 120V GFI receptacle and circuit breaker kit



K5400-1450
50 amp 120 / 240V receptacle and circuit breaker kit