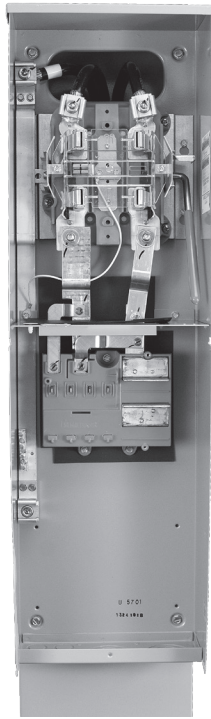
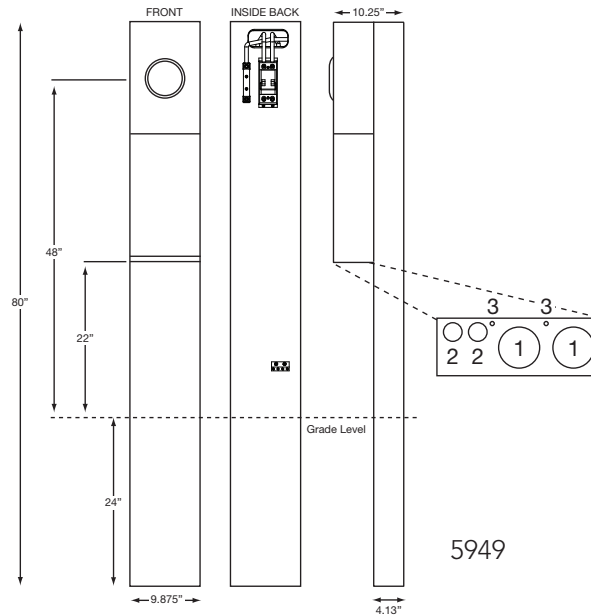


Cold Sequence Meter Main Pedestal

60-200 Amp | 240 Volt | 4 Terminal | Lever Bypass | Ringless



U5949-O-5T9



5949

Overview

The U5949 Cold Sequence meter main provides the utility a UL listed system which includes a heavy-duty lever bypass meter socket and load center with a fused disconnect ahead of the meter. Being able to turn off the power ahead of the meter allows the utility to install, maintain or replace the meter while "cold."

60-200 Amp | 4 Terminal | Meter Main Pedestal | Lever Bypass | Ringless

Catalog Number	Service	Amps	By-pass	Connectors CU/AL		Knockouts		
				Line	Load	1	2	3
U5949-O-60PO-5T9	UG	60	Lever	#6-350	CB	2	1/2, 3/4	1/4
U5949-O-100PO-5T9	UG	100	Lever	#6-350	CB	2	1/2, 3/4	1/4
U5949-O-200PO-5T9	UG	200	Lever	#6-350	CB	2	1/2, 3/4	1/4

Notes

- **Parallel to Series Conversion:** When ordered without breaker, center is parallel wired. For field converting from parallel wired to series wired order **K5194**.
- **Fifth Terminal:** For field installed fifth terminal, order **K3865**.
- **Stabilizer Foot:** For field installed stabilizer foot, order **K5415**
- **Receptacles:** Consult factory for installed receptacle assemblies.
- **Breakers:** the main breaker to be used are the **UQFP** and **UQFPM** series breakers.

Utility requirements for this equipment may vary. Always consult the serving utility for their requirements prior to ordering or installing this equipment. This product must be installed by a licensed electrician. Installation of this equipment may require local electrical inspector approval.

