

Slimline Commercial Pedestals

12" Wide | 100 & 200 Amp | Metered or Unmetered



Features

- UL Listed as service equipment
- Vandal-resistant, secure and attractive design
- Customer compartment with distribution and control equipment with swing dead front door, secured with both a hasp/latch and draw latch outer door
- Utility metering compartment protected with a hinged hood, increasing resistance to meter vandalism
- Small footprint
- Wireway located on left side of pedestal for utility incoming wire, allowing pedestal to be mounted with back very close to a wall (14")
- Available in 50" and 63" (metered) and 43" (nonmetered) heights
- Includes a print pocket for plans and drawings
- 200 amp main available
- Voltage range: 120V–480V
- Compatible with both ringless and ring-type meter sockets, 4–7 terminals
- Available in any color upon request
- Pedestal mounting base option saves time and labor to install on a cement pad—no anchor bolts required
- Powder-coated G90 galvanized steel, raw, anodized or powder-coated aluminum and stainless steel exterior options

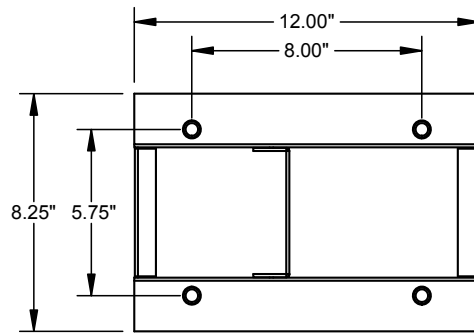
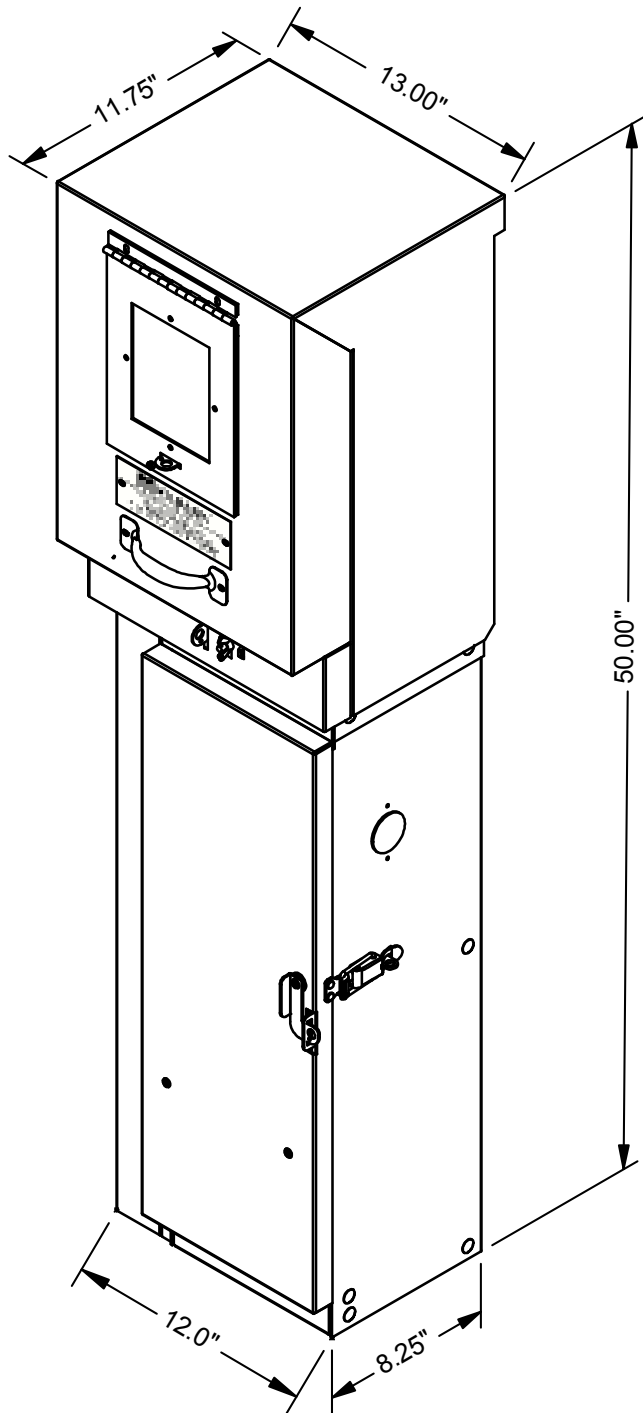
CP3A11C1VISP1
(shown)

Utility requirements for this equipment may vary. Always consult the serving utility for their requirements before ordering or installing equipment.

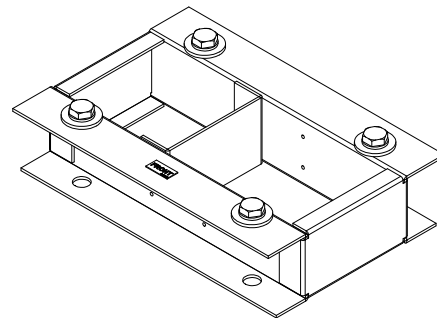


Slimline Commercial Pedestals

12" Wide | 100 & 200 Amp | Metered or Unmetered



CP-12-PAD2
Pad mount base



Utility requirements for this equipment may vary. Always consult the serving utility for their requirements before ordering or installing equipment.

