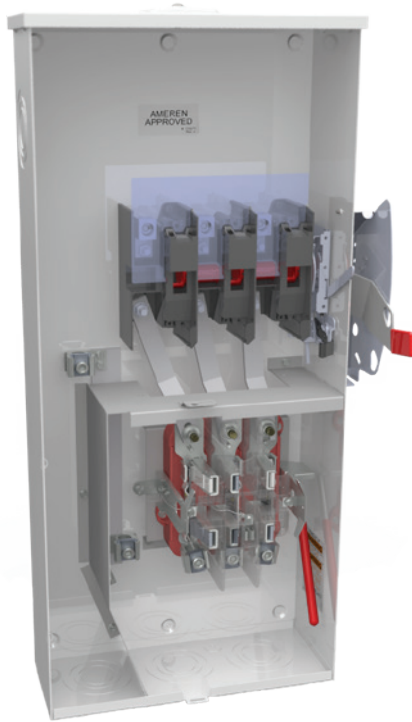




# NEW: Cold Sequence Knife Switch

UL Listed | 200 Amps | Ameren Approved

*Aesthetically pleasing, fewer components and a smaller footprint than using both a meter socket and disconnect. Faster Installation!*



**U6550**

## Features

- Easy installation
  - All-in-one socket knife switch combo saves time
- Durable enclosure
  - NEMA 3R rated
  - Standard enclosure: Powder-coated galvanized steel
  - Optional enclosure materials: Stainless steel or aluminum
- Wide range of optional utility specified components (stainless steel hasp, isolated neutral, barrel lock, etc.) upon request.
- SCCR rating of 10K
- UL listed
- Manufactured in the USA

Catalog Number	Amps	Phase	Terminals	Dimensions		
				D"	W"	H"
U6549-XL-200NF-5T9-IL-LG	200	1Ø3W & Network	4 or 5	5¾	15	33½
U6615-XL-200NF-5T9-IL-LG (Delta)	200	3Ø3W	5	5¾	15	33½
U6550-XL-200NF-IL-LG	200	3Ø4W	7	5¾	15	33½

### Add prefix for below optional metals:

**USS-** stainless steel (No KOs or hub openings are included in the enclosure from the factory when ordered as stainless steel)

**UAP-** aluminum painted

### Add suffix for below options:

**-5T9/-5T6** fifth terminal designation

**-IL** barrel lock

**-BLG** barrel lock/guard provisions

**-HSP** stainless steel hasp

## Common Applications



**Commercial**



**Industrial**

Please consult serving utility for their requirements prior to ordering or installing, as specifications and approvals vary by utility, and may require local electrical inspector approval. All installations must be installed by a licensed electrician and must comply with all national and local codes, laws and regulations. Milbank reserves the right to make changes in specifications and features shown without notice or obligation.

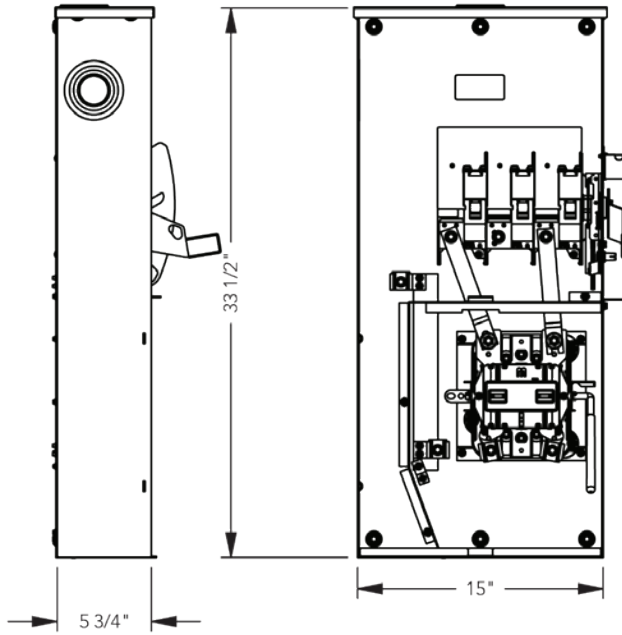




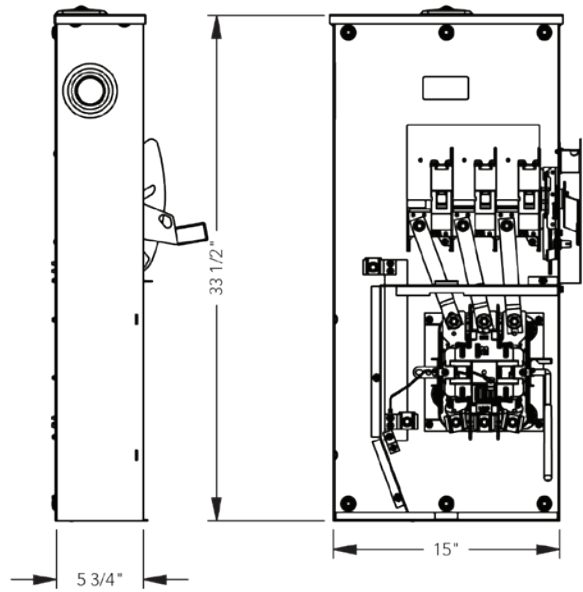
# NEW: Cold Sequence Knife Switch

UL Listed | 200 Amps | Ameren Approved

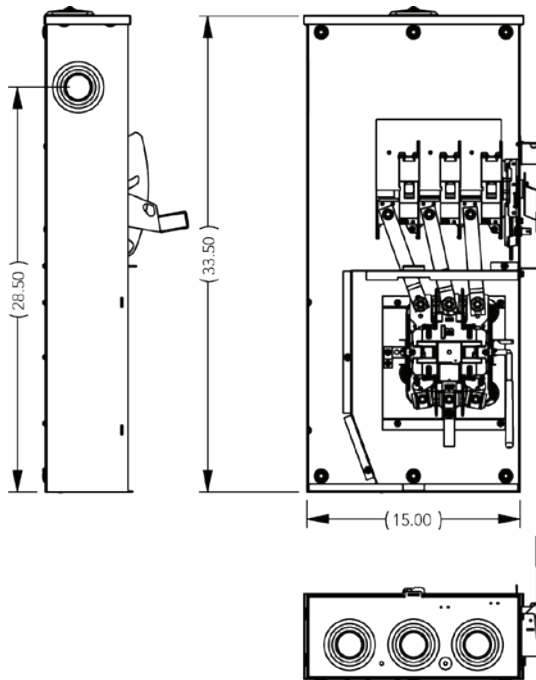
U6549



U6550



U6615



Please consult serving utility for their requirements prior to ordering or installing, as specifications and approvals vary by utility, and may require local electrical inspector approval. All installations must be installed by a licensed electrician and must comply with all national and local codes, laws and regulations. Milbank reserves the right to make changes in specifications and features shown without notice or obligation.

