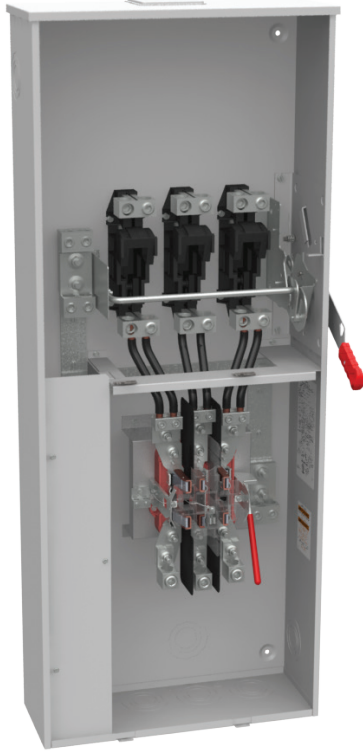




Ameren Approved Cold Sequence Non-Fused Meter Mains

UL Listed | 320 Amps Continuous



U6554

Aesthetically pleasing, fewer components and a smaller footprint than using both a meter socket and disconnect. Faster Installation!



Features

- Easy installation
 - All-in-one socket knife switch combo saves time
- Durable enclosure
 - NEMA 3R rated
 - Standard enclosure: Powder-coated galvanized steel
 - Optional enclosure materials: Stainless steel or aluminum
- Wide range of optional utility specified components (stainless steel hasp, isolated neutral, barrel lock, etc.) upon request.
- SCCR rating of 10K
- UL listed
- Manufactured in the USA

320 Amps | Non-Fused

Catalog Number	Phase	Terminals	Dimensions		
			D"	W"	H"
U6553-X-400NF-K3L-IL-5T9W	1Ø3W	4 or 5	8¼	22	55
U6617-X-400NF-K3L-IL-5T9W	3Ø3W	5	8¼	22	55
U6554-X-400NF-K7L-IL	3Ø4W	7	8¼	22	55

Notes

If Hot Sequence is needed, please contact your local Rep or Factory for part number.

Add prefix for below optional metals:

USS- stainless steel (no KO's or hub openings are included in the enclosure from the factory when ordered as stainless steel)

UAP- aluminum painted

Add suffix for below options:

-5T9/-5T6 fifth terminal designation

-IL barrel lock

-QG quadplex ground

-BLG barrel lock/guard provisions

-HSP stainless steel hasp

Please consult serving utility for their requirements prior to ordering or installing, as specifications and approvals vary by utility, and may require local electrical inspector approval. All installations must be installed by a licensed electrician and must comply with all national and local codes, laws and regulations. Milbank reserves the right to make changes in specifications and features shown without notice or obligation.

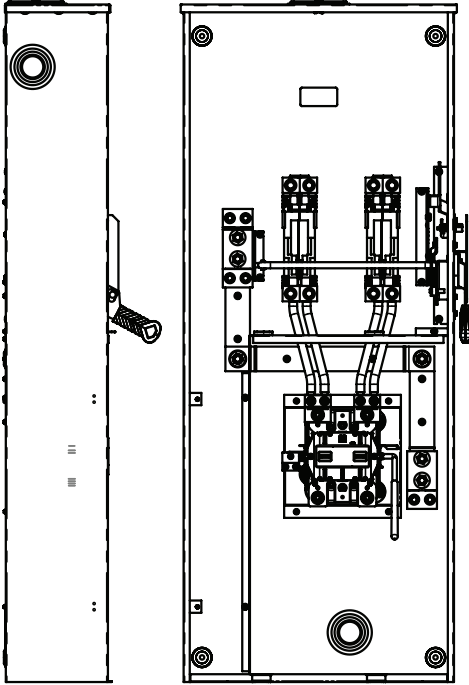




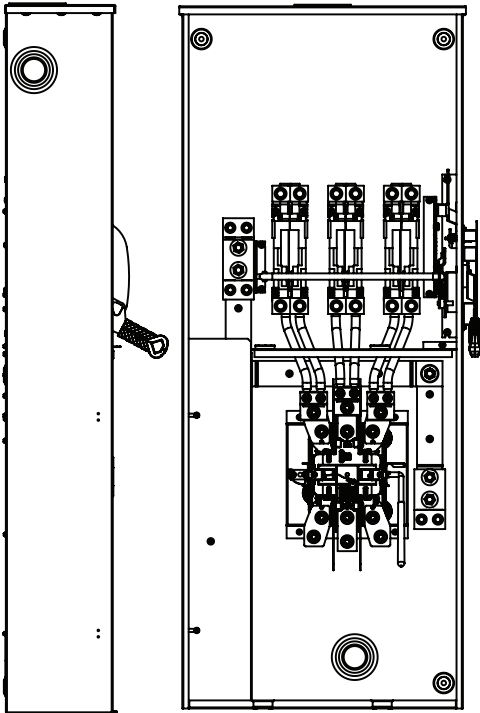
Ameren Approved Cold Sequence Non-Fused Meter Mains

UL Listed | 320 Amps Continuous

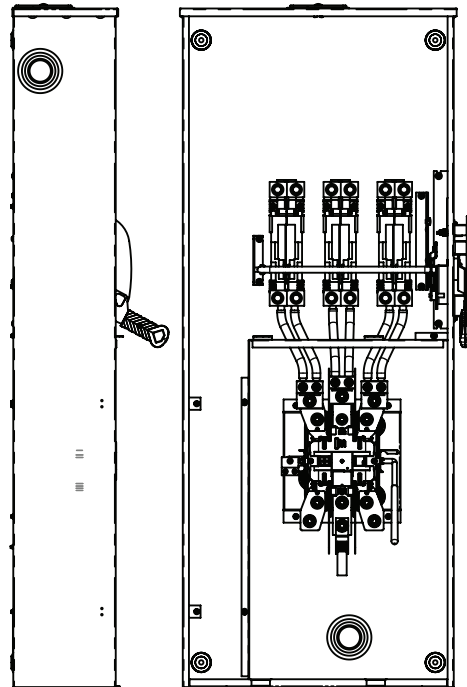
U6553



U6554



U6617



Please consult serving utility for their requirements prior to ordering or installing, as specifications and approvals vary by utility, and may require local electrical inspector approval. All installations must be installed by a licensed electrician and must comply with all national and local codes, laws and regulations. Milbank reserves the right to make changes in specifications and features shown without notice or obligation.

