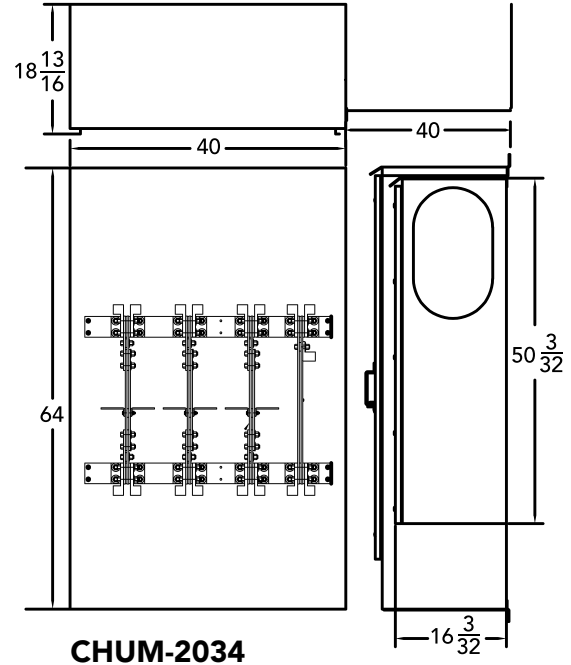
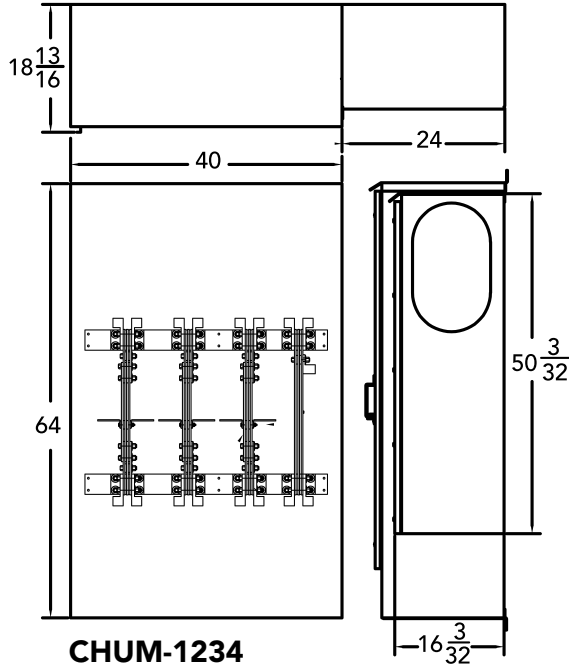




Chugach Approved CT Enclosures

1200-2500 Amps | 3-Phase 4-Wire



Features

- Allows for a 3/8" padlock hasp.
- Door stop prevents door from closing.
- Wiring hole is gasketed with edge protection.
- Gutter can be installed on either side of enclosure.
- Short-circuit rating up to 85,000 Amps.
- Enclosure is UL-listed and NEMA 3R rated.
- Crafted with .125" aluminum.
- Includes CT supports for window type CT's.

1200-2500 Amps | 3Ø | 4-Wire | 85K Short Circuit Rated | NEMA 3R | .125" Aluminum

Catalog Number	Amps	Line & Load Lugs	Dimensions			Side Gutter Dimensions		
			D"	W"	H"	D"	W"	H"
CHUM-1234	1200	(3) for 1-600 kcmil CU/AL	16 11/16	38	60	14 3/32	14	50 3/32
CHUM-1634	1600	(4) for 1-600 kcmil CU/AL	18 13/16	40	64	16 3/32	24	50 3/32
CHUM-2034	2000	(5) for 1-600 kcmil CU/AL	18 13/16	40	64	16 3/32	24	50 3/32
CHUM-2534	2500	(7) for 1-600 kcmil CU/AL	18 13/16	40	64	16 3/32	24	50 3/32



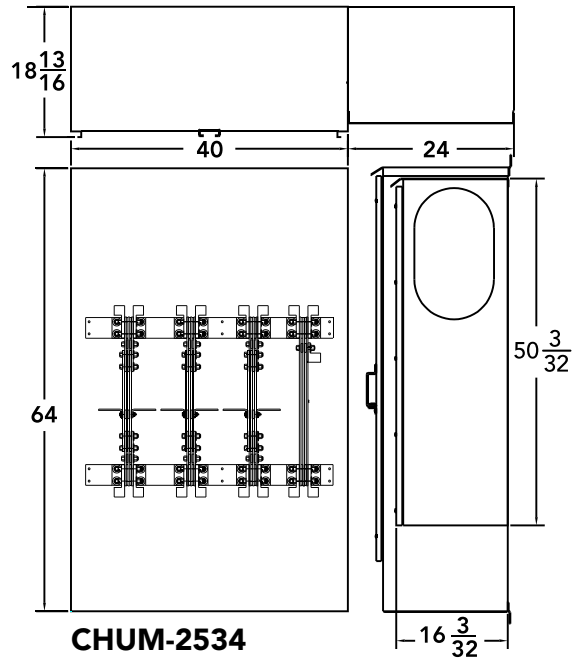
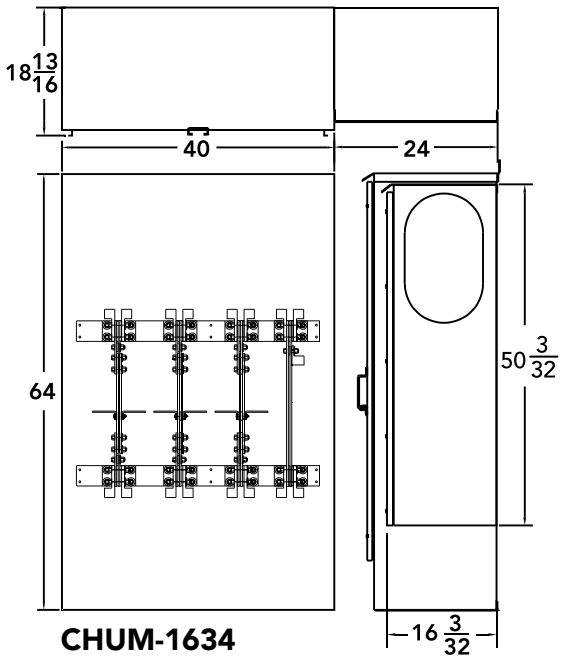
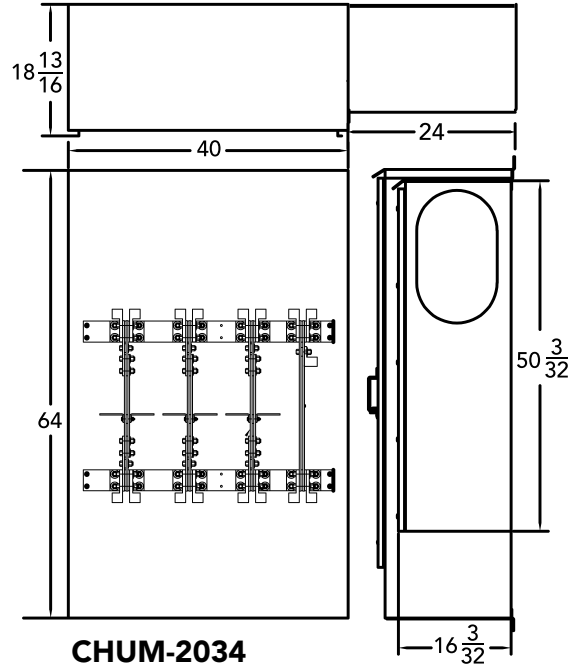
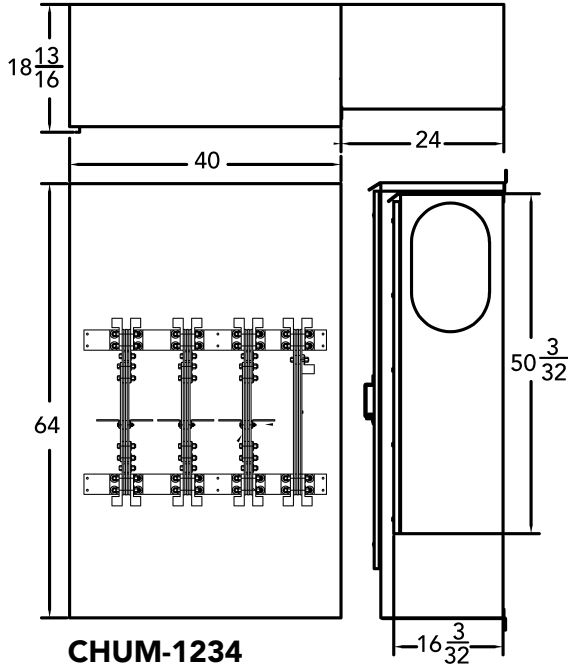
Please consult serving utility for their requirements prior to ordering or installing, as specifications and approvals vary by utility, and may require local electrical inspector approval. All installations must be installed by a licensed electrician and must comply with all national and local codes, laws and regulations. Milbank reserves the right to make changes in specifications and features shown without notice or obligation.





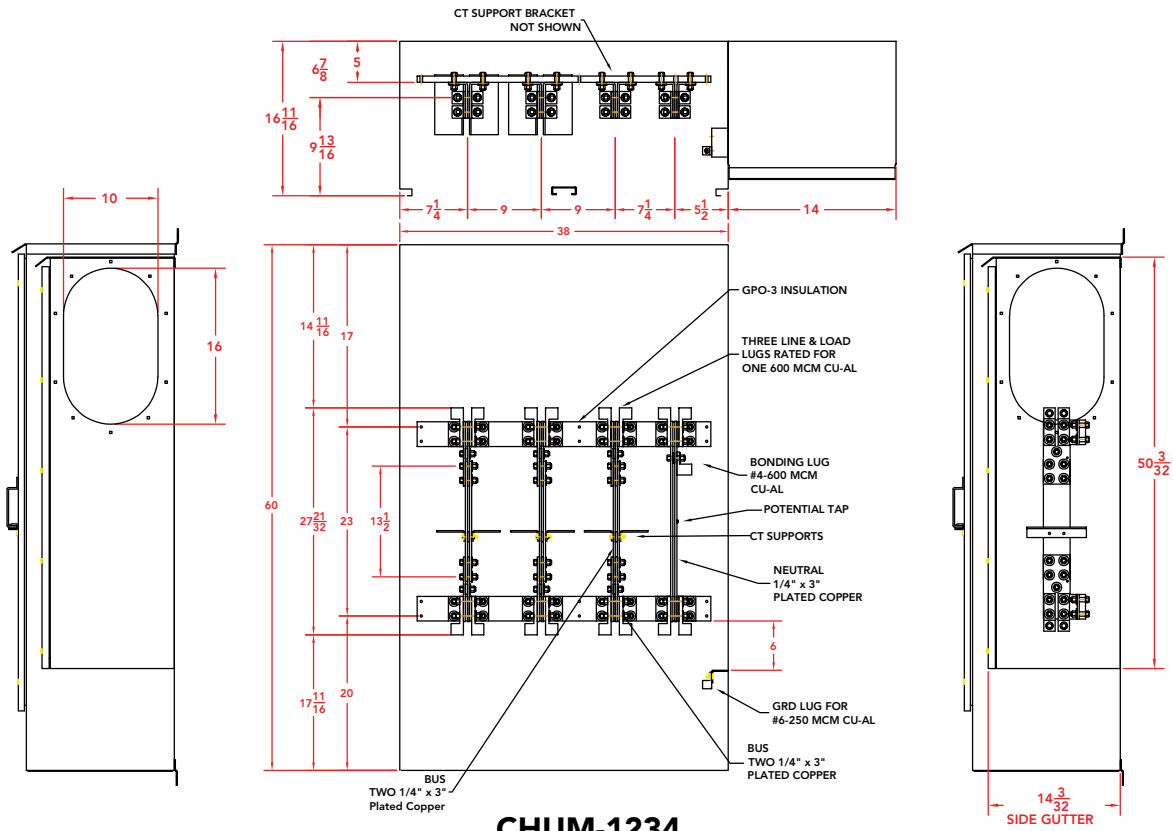
Chugach Approved CT Enclosures

1200-2500 Amps | 3-Phase 4-Wire

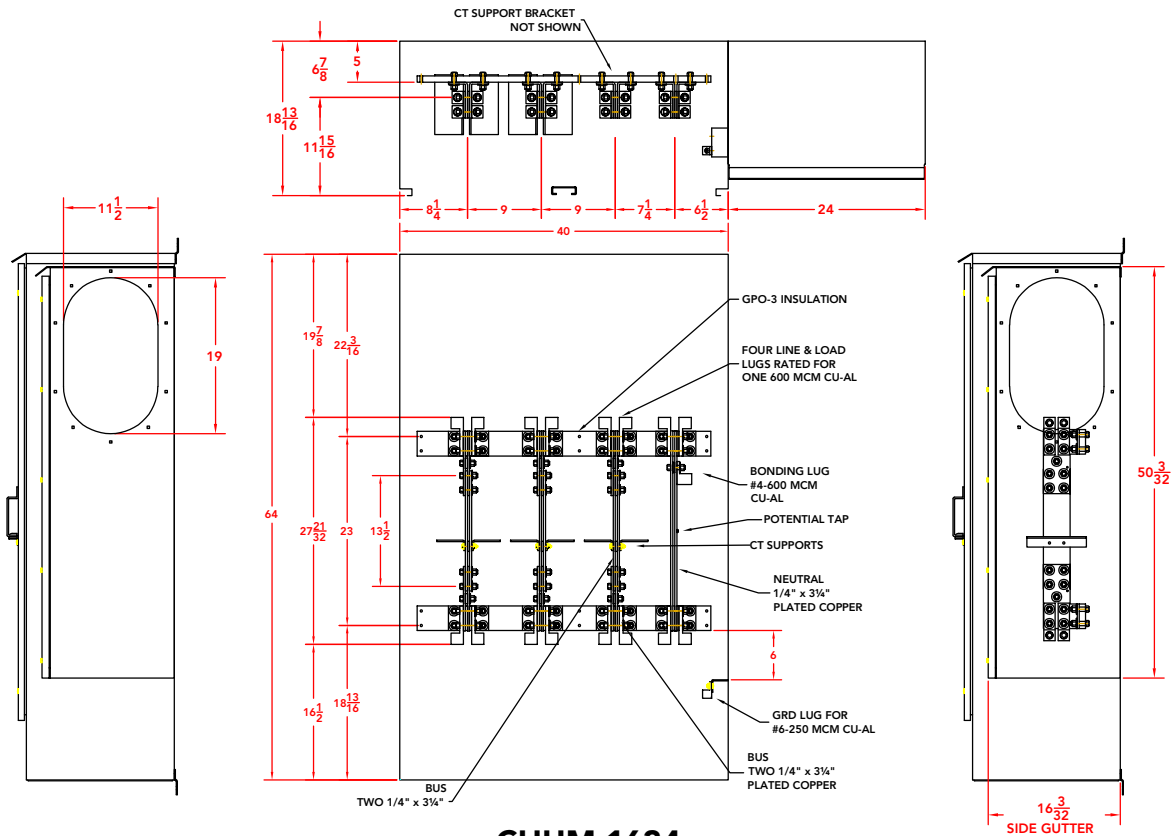


Please consult serving utility for their requirements prior to ordering or installing, as specifications and approvals vary by utility, and may require local electrical inspector approval. All installations must be installed by a licensed electrician and must comply with all national and local codes, laws and regulations. Milbank reserves the right to make changes in specifications and features shown without notice or obligation.





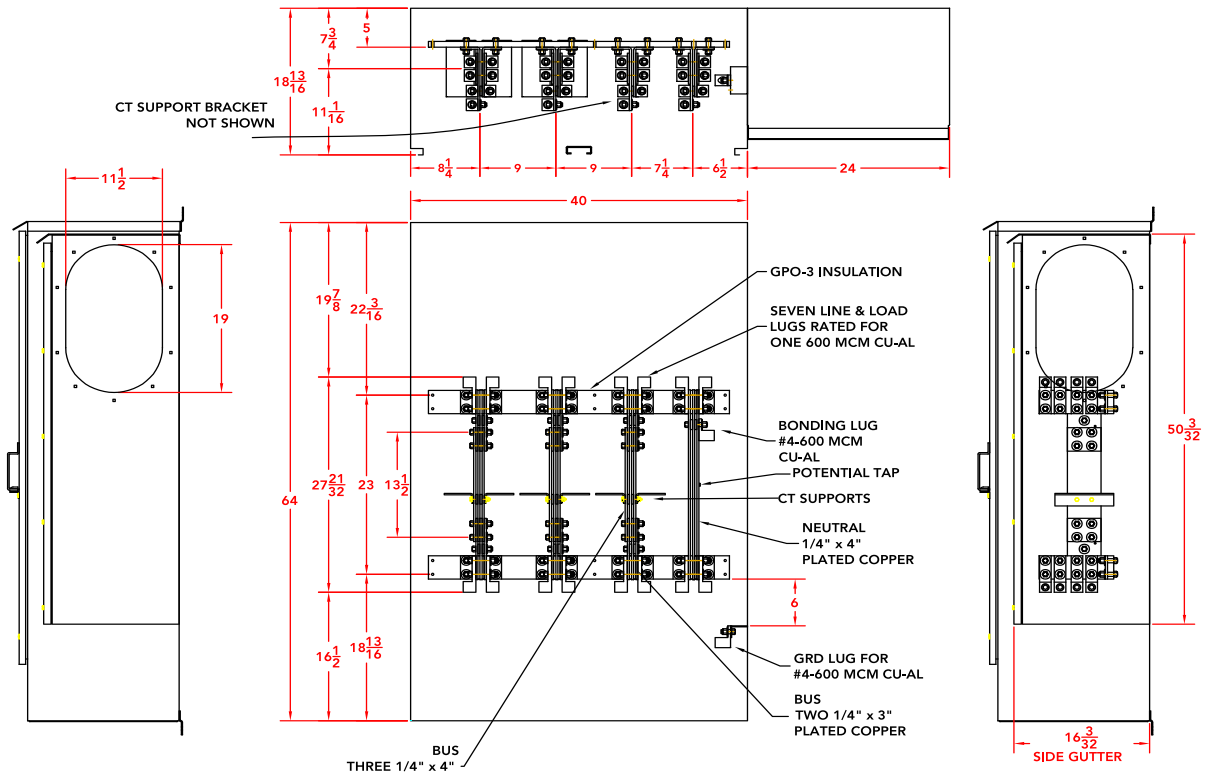
CHUM-1234



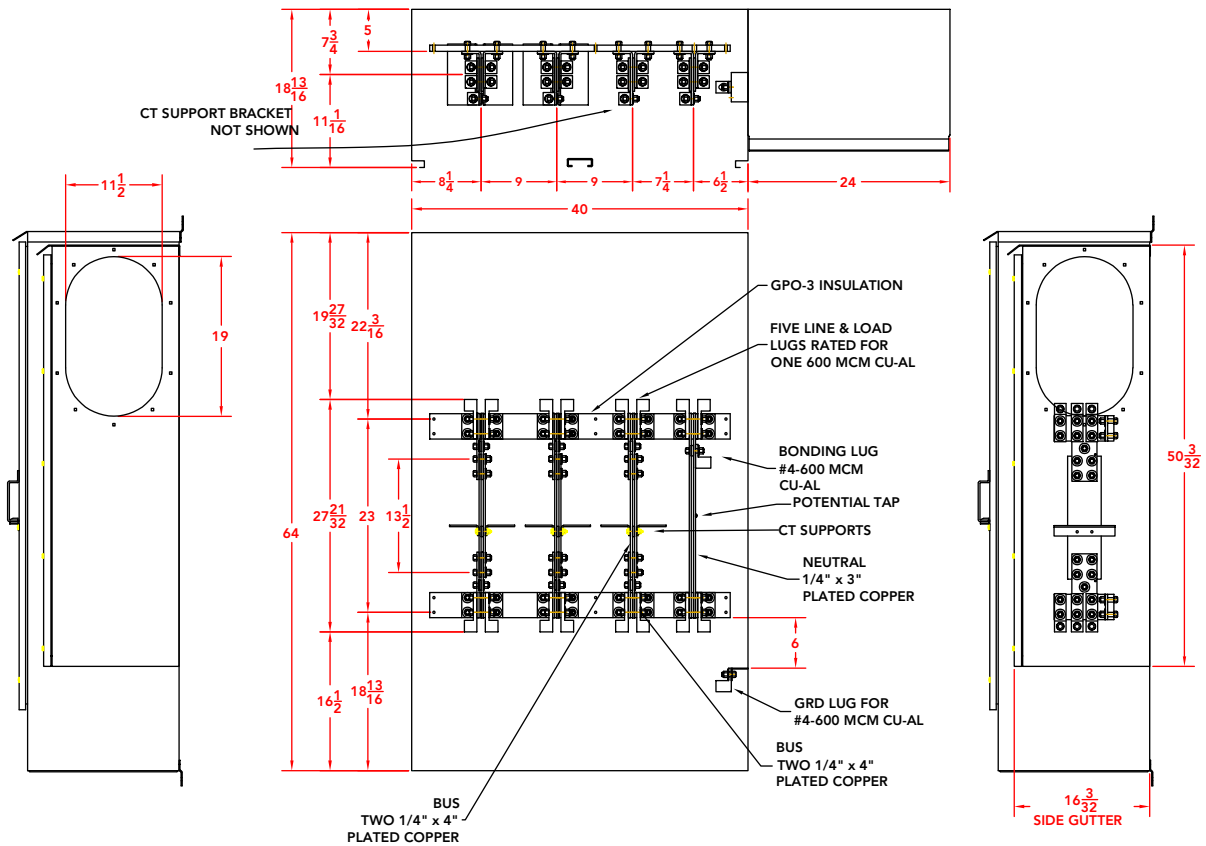
CHUM-1634

Please consult serving utility for their requirements prior to ordering or installing, as specifications and approvals vary by utility, and may require local electrical inspector approval. All installations must be installed by a licensed electrician and must comply with all national and local codes, laws and regulations. Milbank reserves the right to make changes in specifications and features shown without notice or obligation.





CHUM-2534



CHUM-2034

Please consult serving utility for their requirements prior to ordering or installing, as specifications and approvals vary by utility, and may require local electrical inspector approval. All installations must be installed by a licensed electrician and must comply with all national and local codes, laws and regulations. Milbank reserves the right to make changes in specifications and features shown without notice or obligation.

