



# Florida-Approved Meter Mains. Ready When You Need Them.

MEG & FPL approved meter mains designed for dependable performance and improved lead times.



Milbank offers a trusted lineup of meter mains designed to meet the needs of Florida utilities and contractors. Featuring MEG and FPL approved models, our solutions deliver dependable performance, streamlined installation, and improved availability when your projects demand it.

With products like the **U5168**, **U6601**, **U6602**, and **U5844**, Milbank provides the meter main configurations contractors rely on. Milbank meter mains are proudly manufactured in the USA and backed by the quality and reliability Milbank has delivered for nearly a century.  
**Power Your Next Florida Project with Milbank.**



### U5168 Series

- Most Popular Meter Main
- Main Breaker with 8 or 10 spaces
- Available in 100-200 Amps
- Overhead or Underground Feed



### U5844-RL-200-HSP

- Space Saving Meter Main
- Single Main Breaker
- Available in 100-200 Amps
- Overhead or Underground Feed



### U6601 Series

- 320A Continuous 400A Max Rating
- 2 Main Breakers
- Steel or Aluminum Enclosure
- NEC 2020 Compliant



### U6602 Series

- 320A Continuous 400A Max Rating
- 2 Main Breakers, 10 Available Circuits
- Feed Through Lug Kit Included
- Steel or Aluminum Enclosure



### U6587 Series

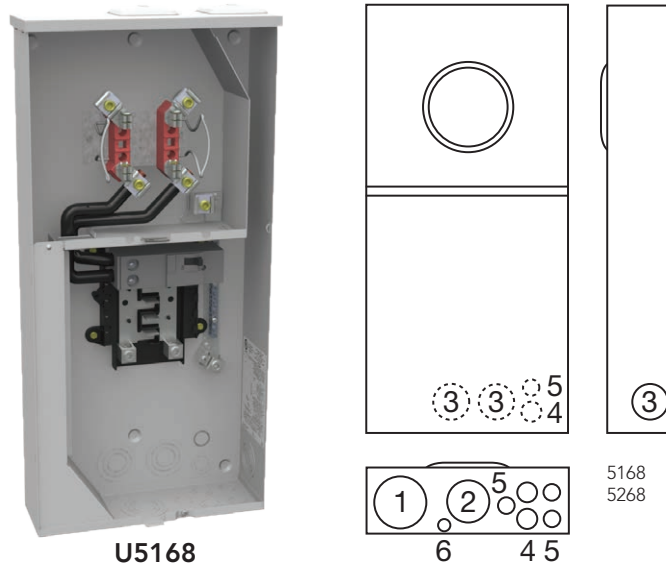
- 320A Continuous 400A Max Rating
- Most popular 320 A Meter Main
- 2 Main Breakers
- Space Saving



Contact your Milbank representative to learn more about our Florida-approved meter main solutions.

# Meter Mains with Load Center

200 Amps | 4 Terminals | Ringless | 120/240V | *NEC 2020/23 Compliant*



**U5168**

200 Amps | 4 Terminals | Meter Mains | Horn Bypass | Ringless | 1Ø3W

Catalog Number	Breaker Amps	Circuits	Service	Hub	Connectors CU/AL - Line	Dimensions		
						D"	W"	H"
U5168-XL-100-HSP	100	10	OH/UG	C.P.	#6-350	4½	14⅞	32
U5168-XTL-100-HSP	100	10	OH/UG	C.P.	#6-350	4½	14⅞	32
U5168-XL-125-HSP	125	8	OH/UG	C.P.	#6-350	4½	14⅞	32
U5168-XTL-125-HSP	125	8	OH/UG	C.P.	#6-350	4½	14⅞	32
U5168-XL-150-HSP	150	8	OH/UG	C.P.	#6-350	4½	14⅞	32
U5168-XTL-150-HSP	150	8	OH/UG	C.P.	#6-350	4½	14⅞	32
U5168-XL-200-HSP	200	20	OH/UG	C.P.	#6-350	4½	14⅞	32
U5168-XTL-200-HSP	200	20	OH/UG	C.P.	#6-350	4½	14⅞	32
U5268-XL-150-HSP	150	20	OH/UG	C.P.	#6-350	4½	14⅞	30
U5268-XTL-150-HSP	150	20	OH/UG	C.P.	#6-350	4½	14⅞	30
U5268-XL-200-HSP	200	20	OH/UG	C.P.	#6-350	4½	14⅞	30
U5268-XTL-200-HSP	200	20	OH/UG	C.P.	#6-350	4½	14⅞	30

## Notes

- **Fifth Terminal:** For field-installable fifth terminal, order **K5T**.
- **Breakers:** Rated 22K AIC with **QN2200H** main installed for **U5168**.
- **Sub Feed Lugs:** #6-350 sub feed lugs provided on 8 circuit interior. **Not available on 20 circuit interior.**
- **Main Lug Kit:** Main lug feed-through kit **K3701** available.
- **XTL-:** Two small hub closing plates.

## Branch Breaker Chart

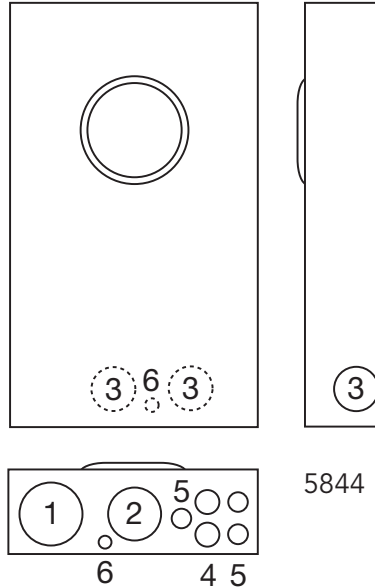
AIC Rating	Amps	Siemens	Cutler-Hammer	GE	Square D
10K	150-200	QNR	BR (150A only)	—	—
	≤ 125	QP	HQP, BR	THQL, THQL-GF	Homeline
22K	150-200	QNRH	—	—	—
	≤ 125	QPH	—	—	—

# Meter Main

100-200 Amps | 4 Terminals | Ringless | 120/240V | *NEC 2020 Compliant*



U5844-RL-200-HSP



5844

100-200 Amps | 4 Terminals | Ringless | Meter Main | 1Ø3W

Catalog Number	Breaker Amps	Material	Service	Connectors CU/AL - Line		Dimensions			Knockouts					
				Line	Load	D"	W"	H"	1	2	3	4	5	6
U5842-RL-100-HSP	100	Steel	OH	#6-350	CB	4½	8	30	2	1¼	¼	—	—	—
U5844-RL-100-HSP*	100	Steel	OH/UG	#6-350	CB	4½	14	30	3	2½	2	1	¾	½
UAP5844-RL-100-HSP*	100	Aluminum	OH/UG	#6-350	CB	4½	14	30	3	2½	2	1	¾	½
U5842-RL-150-HSP	150	Steel	OH	#6-350	CB	4½	8	30	2	1¼	¼	—	—	—
U5844-RL-150-HSP*	150	Steel	OH/UG	#6-350	CB	4½	14	30	3	2½	2	1	¾	½
UAP5844-RL-150-HSP*	150	Aluminum	OH/UG	#6-350	CB	4½	14	30	3	2½	2	1	¾	½
U5842-RL-200-HSP	200	Steel	OH	#6-350	CB	4½	8	30	2	1¼	¼	—	—	—
U5844-RL-200-HSP*	200	Steel	OH/UG	#6-350	CB	4½	14	30	3	2½	2	1	¾	½
UAP5844-RL-200-HSP*	200	Aluminum	OH/UG	#6-350	CB	4½	14	30	3	2½	2	1	¾	½

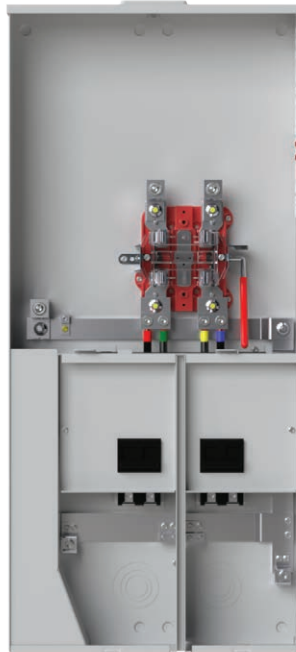
## Notes

- **Breakers:** 22KAIC main breakers factory-installed.
- **Fifth Terminal:** For field-installed fifth terminal, order K5T.

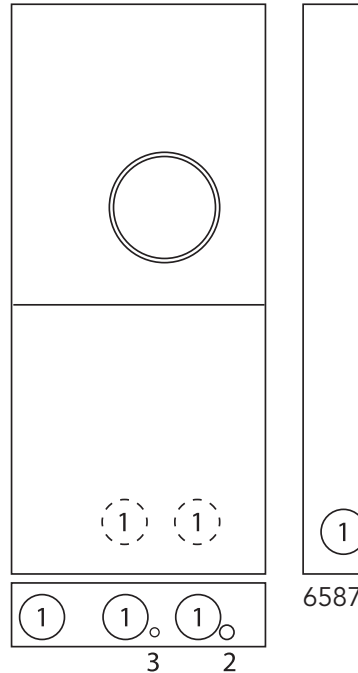
\*Wireway: Provided with underground pull section wireway with removable cover.

# Meter Main With and Without Load Center

320 Amps | 4 Terminals | Ringless | 120/240V | *NEC 2020 Compliant*



U6587-X-2/100-K3L-HSP



320 Amps | 4 Terminals | Ringless | Meter Main | 1Ø3W | Lever Bypass

Catalog Number	Material	Service	Hub	Connectors CU/AL - Line		Dimensions			Knockouts		
				Line	Load	D"	W"	H"	1	2	3
U6587-X-2/100-K3L-HSP	Steel	OH/UG	C.P.	(1)#4-600 or (2) 1/0-250	CB	4 <sup>27</sup> / <sub>32</sub>	20	45	3	1/2	5/16
U6587-X-2/150-K3L-HSP	Steel	OH/UG	C.P.	(1)#4-600 or (2) 1/0-250	CB	4 <sup>27</sup> / <sub>32</sub>	20	45	3	1/2	5/16
U6587-X-200-100-K3L-HSP	Steel	OH/UG	C.P.	(1)#4-600 or (2) 1/0-250	CB	4 <sup>27</sup> / <sub>32</sub>	20	45	3	1/2	5/16
U6587-X-200-150-K3L-HSP	Steel	OH/UG	C.P.	(1)#4-600 or (2) 1/0-250	CB	4 <sup>27</sup> / <sub>32</sub>	20	45	3	1/2	5/16
U6587-X-2/200-K3L-HSP	Steel	OH/UG	C.P.	(1)#4-600 or (2) 1/0-250	CB	4 <sup>27</sup> / <sub>32</sub>	20	45	3	1/2	5/16

## Notes

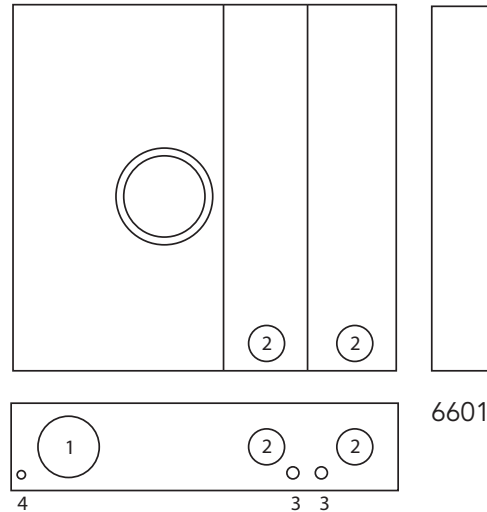
- **Short Circuit Current Withstand Rating:** 22K AIC standard.
- **Breakers:** Units come with main breakers.
- **Fifth Terminal:** For field-mounted fifth terminal order catalog number **K3865**.

# Meter Main With and Without Load Center

320 Amps | 4-5 Terminals | Ringless | 120/240V | *NEC 2020 Compliant*



U6601-X-2/200-5T9-HSP



6601

320 Amps | 4 Terminals | Ringless | Meter Main | 1Ø3W | Lever Bypass

Catalog Number	Material	Service	Hub	Connectors CU/AL - Line		Dimensions			Knockouts			
				Line	Load	D"	W"	H"	1	2	3	4
U6601-X-2/200-HSP	Steel	OH/UG	C.P.	3/8" x 16 Studs	CB	6	34 1/4	35	4	2 1/2	1/2	5/16
UAP6601-X-2/200-HSP	Aluminum	OH/UG	C.P.	3/8" x 16 Studs	CB	6	34 1/4	35	4	2 1/2	1/2	5/16

320 Amps | 5 Terminals | Ringless | Meter Main | 1Ø3W | Lever Bypass

Catalog Number	Material	Service	Hub	Connectors CU/AL - Line		Dimensions			Knockouts			
				Line	Load	D"	W"	H"	1	2	3	4
U6601-X-2/200-5T9-HSP	Steel	OH/UG	C.P.	3/8" x 16 Studs	CB	6	34 1/4	35	4	2 1/2	1/2	5/16
UAP6601-X-2/200-5T9-HSP	Aluminum	OH/UG	C.P.	3/8" x 16 Studs	CB	6	34 1/4	35	4	2 1/2	1/2	5/16

## Notes

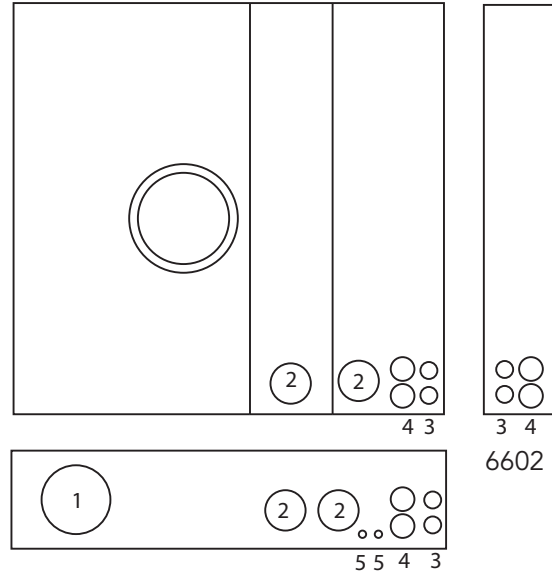
- **Short Circuit Current Withstand Rating:** 22K AIC standard.
- **Breakers:** Units come with main breakers.
- **Fifth Terminal:** For field-mounted fifth terminal order catalog number K3865.
- **-MLK:** Feed through lug kit factory installed.

# Meter Main With and Without Load Center

320 Amps | 4-5 Terminals | Ringless | 120/240V | *NEC 2020 Compliant*



UAP6602-X-2/200-5T9-MLK-HSP



320 Amps | 4-5 Terminals | Ringless | Meter Main w/ Load Center | 1Ø3W | Lever Bypass

Catalog Number	Material	Service	Hub	Connectors CU/AL - Line		Dimensions			Knockouts				
				Line	Load	D"	W"	H"	1	2	3	4	5
U6602-X-2/200-MLK-HSP	Steel	OH/UG	C.P.	3/8" x 16 Studs	CB	6	38	41	4	2½	¾	1	½
UAP6602-X-2/200-5T9-MLK-HSP	Aluminum	OH/UG	C.P.	3/8" x 16 Studs	CB	6	38	41	4	2½	¾	1	½

## Notes

- **Short Circuit Current Withstand Rating:** 22K AIC standard.
- **Breakers:** Units come with main breakers.
- **Fifth Terminal:** For field-mounted fifth terminal order catalog number K3865.
- **U6602** and **UAP6602** have 8 additional circuits.
- **-MLK:** Feed through lug kit factory installed.