

Free-Standing Multi-Position Power Distribution

Pad-mount | 4 Position, 125A per position

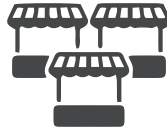


K6342 installation distributes power to cellular repeater.



K6342 rendering shows four available positions.

K6342 Potential Applications



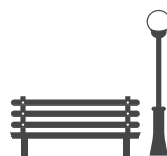
City Needs Power Distribution for Multiple-Vendor Events/Multiple-Tenant Space.

Ideal for cities or parks and recreation departments that host events with multiple vendors: **farmers markets, festivals, food trucks, etc.** The K6342 has a slender footprint and allows for four separate positions, each metered individually by the local utility. With safe, secure power for all tenants, the local utility and municipality can rest assured their power needs are handled.



Wireless Carriers Need Power Distribution for Cell Towers and Cellular Repeaters.

The K6342 was developed for a **municipality** that had a major wireless carrier wanting power distribution for their **cell towers and cellular repeaters**. Seeing the opportunity for other wireless carriers to share interest, the city approached Milbank for help. This free-standing unit was designed to allow up to four separate customers to have power (up to 125 amp per position) distributed and metered independently. The pedestal design is convenient when space is limited, especially in urban areas.



Park Needs Power for Field Lighting, Concession Stand, Pavilion and more.

Parks today are multifaceted, catering to the needs of diverse audiences. A park might have a baseball field, next to a concession stand, next to path lighting, next to a pavilion. The K6342 can provide power distribution to **recreation areas** that are located in close proximity with no need for separate pedestals or unsightly strut systems.

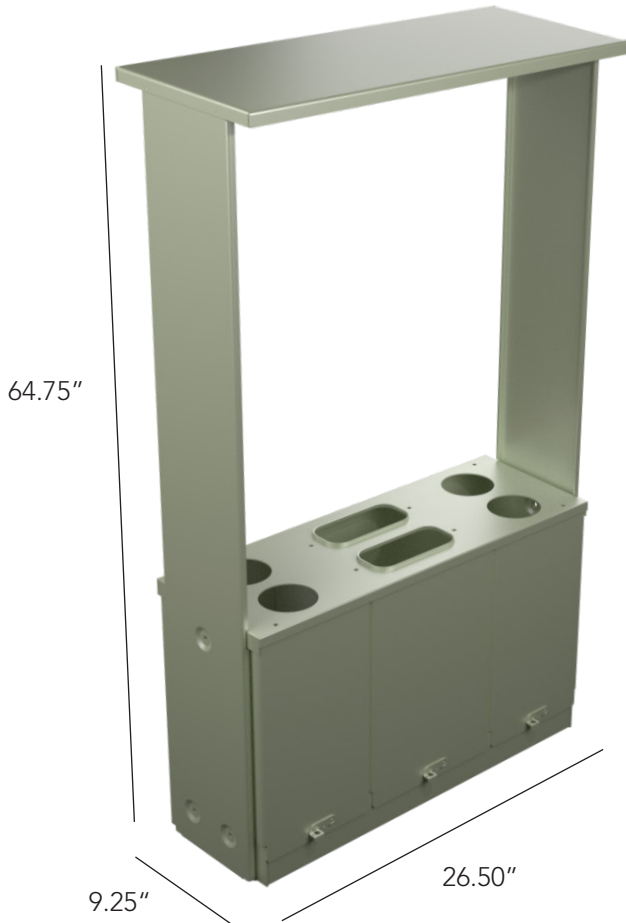
Please consult serving utility for their requirements prior to ordering or installing, as specifications and approvals vary by utility, and may require local electrical inspector approval. All installations must be installed by a licensed electrician and must comply with all national and local codes, laws and regulations. Milbank reserves the right to make changes in specifications and features shown without notice or obligation.



MILBANK
ENERGY AT WORK

Free-Standing Multi-Position Power Distribution

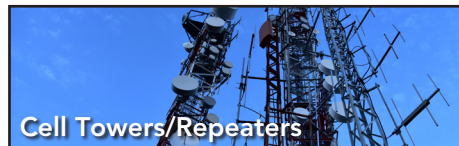
Pad-mount | 4 Position, 125A per position



Features and Benefits

- The K6342 is a pad-mount weather-resistant electrical enclosure with utility section for metering and a customer section containing distribution and control equipment.
- It features provisions for small frame breaker disconnects in each position.
- Pedestal is ideal for power distribution in downtown or common locations with limited space where aesthetics matter.
- Custom color options are available.
- Contact the Milbank sales team for more position options.

Common Applications



Please consult serving utility for their requirements prior to ordering or installing, as specifications and approvals vary by utility, and may require local electrical inspector approval. All installations must be installed by a licensed electrician and must comply with all national and local codes, laws and regulations. Milbank reserves the right to make changes in specifications and features shown without notice or obligation.

