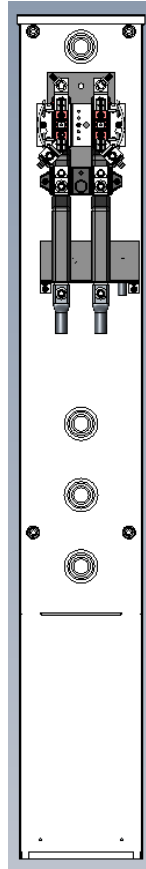
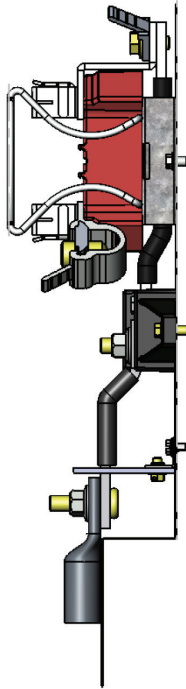
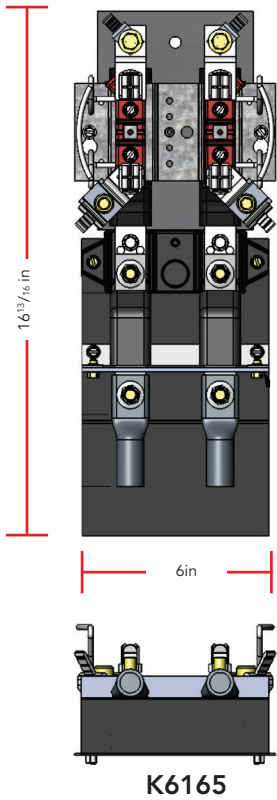


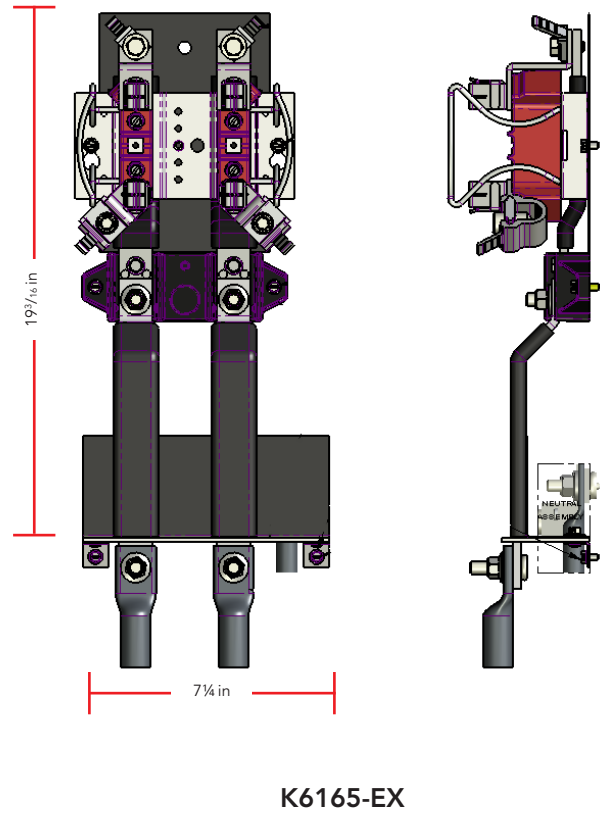


# K6165 & K6165-EX

*Frost Heaving Interior Replacement Kit  
for U8436-O-CECHA*



**U8436-O-CECHA**  
*with K6165-EX installed*



## Specifications

- Kits come with new insulating barrier between the block and the shell, and between the neutral lug and the line lugs.
- Designed with extended bussing to accommodate line side wires affected by frost heaving.

Please consult serving utility for their requirements prior to ordering or installing, as specifications and approvals vary by utility, and may require local electrical inspector approval. All installations must be installed by a licensed electrician and must comply with all national and local codes, laws and regulations. Milbank reserves the right to make changes in specifications and features shown without notice or obligation.

