



# Cold Sequence

200 & 300 Amps



**U5767-X-200-CB**  
OH/UG Service  
200 Amps



**U5797-O-400-CB**  
UG Service  
320 Amps

## Specifications

- 200 Amps – 4, 5 or 7 terminals.
- 320 Amps continuous – 4, 5 or 7 terminals 600 VAC, 10K AIC.
- Ringless heavy duty lever bypass meter socket as required by utility.
- UL listed system includes meter socket, disconnect and neutral – installed into one enclosure.
- Suitable for use as service equipment only.
- Circuit breaker connected ahead of meter for added safety while servicing equipment.
- Circuit breaker type rated: 200 Amps, 600 VAC at 22K, 480 VAC at 35K, 240 VAC at 65K AIC.
- Disconnects have lockable/sealable safety covers for ON/OFF operation.
- Overhead/underground units have upper and lower covers with lock and sealing provisions for utility security.
- Overhead/underground units have large hub opening for 3" or 4" hub. Order hubs separately.
- Underground units have side-by-side covers with lock and sealing provisions for utility security.
- NEMA 3R enclosure constructed with heavily galvanized G90 steel with light gray polyester powder coat finish.
- Convenient concentric knockouts and ample mounting embosses for ease of installation.
- Wire terminations accept copper or aluminum conductors. See ordering information for line and load wire sizes.

Please consult serving utility for their requirements prior to ordering or installing, as specifications and approvals vary by utility, and may require local electrical inspector approval. All installations must be installed by a licensed electrician and must comply with all national and local codes, laws and regulations. Milbank reserves the right to make changes in specifications and features shown without notice or obligation.





# Cold Sequence

## 200 & 300 Amps

### 200 Amps | Circuit Breaker Disconnect Ahead of Meter Socket

Catalog Number	Amps	Term	System	Service	Line	Load	Disconnect	AIC	Drawing	Wt (lbs.)
U5764-X-200-CB	200	4	1Ø3W	OH/UG*	1/0-350 kcmil	#6-350	200a CB	†	Fig A	47
U5764-X-200-5T-CB	200	5	1Ø3W	OH/UG*	1/0-350 kcmil	#6-350	200a CB	†	Fig A	47
U5765-X-200-CB	200	5	3Ø3W	OH/UG*	1/0-350 kcmil	#6-350	200a CB	†	Fig A	52
U5767-X-200-CB	200	7	3Ø4W	OH/UG*	1/0-350 kcmil	#6-350	200a CB	†	Fig A	53
U5784-O-200-CB	200	4	1Ø3W	UG	1/0-350 kcmil	#6-350	200a CB	†	Fig B	64
U5784-O-200-5T-CB	200	5	1Ø3W	UG	1/0-350 kcmil	#6-350	200a CB	†	Fig B	64
U5785-O-200-CB	200	5	3Ø3W	UG	1/0-350 kcmil	#6-350	200a CB	†	Fig B	70
U5787-O-200-CB	200	7	3Ø4W	UG	1/0-350 kcmil	#6-350	200a CB	†	Fig B	71

### 200 Amps | T-Fuse Pullout Disconnect Ahead of Meter Socket

Catalog Number	Amps	Term	System	Service	Line	Load	Disconnect	AIC	Drawing	Wt (lbs.)
U5764-X-200-TF	200	4	1Ø3W	OH/UG*	1/0-350 kcmil	#6-350	200a TF	200K	Fig A	43
U5764-X-200-5T-TF	200	5	1Ø3W	OH/UG*	1/0-350 kcmil	#6-350	200a TF	200K	Fig A	43
U5765-X-200-TF	200	5	3Ø3W	OH/UG*	1/0-350 kcmil	#6-350	200a TF	200K	Fig A	47
U5767-X-200-TF	200	7	3Ø4W	OH/UG*	1/0-350 kcmil	#6-350	200a TF	200K	Fig A	48
U5784-O-200-TF	200	4	1Ø3W	UG	1/0-350 kcmil	#6-350	200a TF	200K	Fig B	61
U5784-O-200-5T-TF	200	5	1Ø3W	UG	1/0-350 kcmil	#6-350	200a TF	200K	Fig B	61
U5785-O-200-TF	200	5	3Ø3W	UG	1/0-350 kcmil	#6-350	200a TF	200K	Fig B	65
U5787-O-200-TF	200	7	3Ø4W	UG	1/0-350 kcmil	#6-350	200a TF	200K	Fig B	66

### 400 Amps (320 Amps Continuous) | Circuit Breaker Disconnect Ahead of Meter Socket

Catalog Number	Amps	Term	System	Service	Line	Load	Disconnect	AIC	Drawing	Wt (lbs.)
U5794-X-400-CB	320	4	1Ø3W	OH	(2) 3/0-500 kcmil	(2) 3/0-500 kcmil	400a CB	10K	Fig C	79
U5794-X-400-5T-CB	320	5	1Ø3W	OH	(2) 3/0-500 kcmil	(2) 3/0-500 kcmil	400a CB	10K	Fig C	79
U5795-X-400-CB	320	5	3Ø3W	OH	(2) 3/0-500 kcmil	(2) 3/0-500 kcmil	400a CB	10K	Fig C	83
U5796-X-400-CB	320	7	3Ø4W	OH	(2) 3/0-500 kcmil	(2) 3/0-500 kcmil	400a CB	10K	Fig C	86
U5797-O-400-CB	320	4	1Ø3W	UG	(2) 3/0-500 kcmil	(2) 3/0-500 kcmil	400a CB	10K	Fig D	101
U5797-O-400-5T-CB	320	5	1Ø3W	UG	(2) 3/0-500 kcmil	(2) 3/0-500 kcmil	400a CB	10K	Fig D	101
U5798-O-400-CB	320	5	3Ø3W	UG	(2) 3/0-500 kcmil	(2) 3/0-500 kcmil	400a CB	10K	Fig D	108
U5799-O-400-CB	320	7	3Ø4W	UG	(2) 3/0-500 kcmil	(2) 3/0-500 kcmil	400a CB	10K	Fig D	110

Barrel lock provision on meter panel available. Add -BL suffix to end of catalog number.

Outline drawings and knockout information are located on next page.

\* UL listed for overhead and underground use. Consult utility for underground use acceptance.

† Circuit breaker type rated: 600 VAC at 22K, 480 VAC at 35K, 240 VAC 65K AIC.

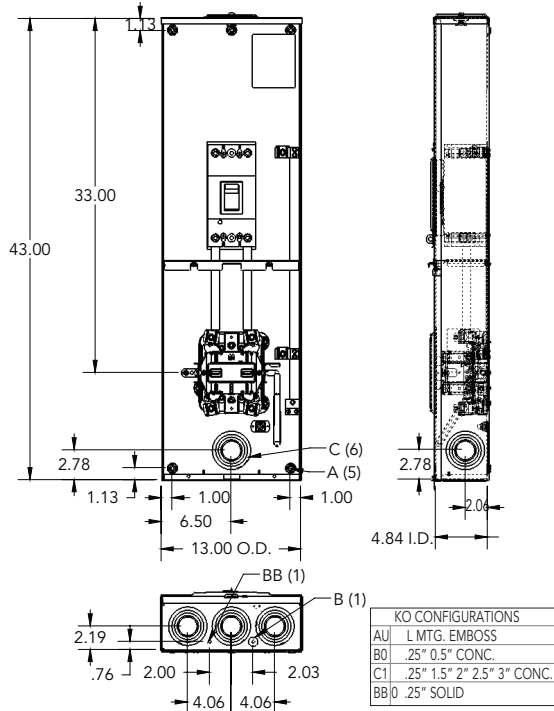
Please consult serving utility for their requirements prior to ordering or installing, as specifications and approvals vary by utility, and may require local electrical inspector approval. All installations must be installed by a licensed electrician and must comply with all national and local codes, laws and regulations. Milbank reserves the right to make changes in specifications and features shown without notice or obligation.



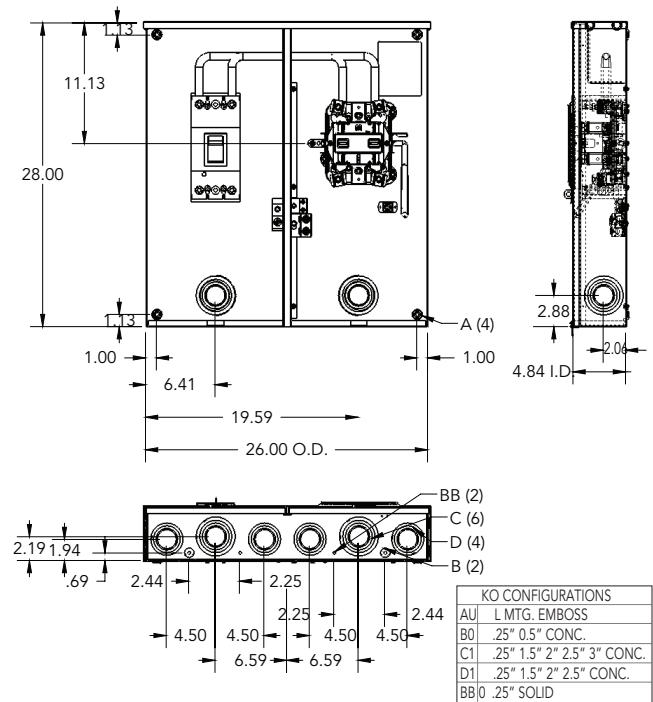
# Cold Sequence

## 200 & 300 Amps

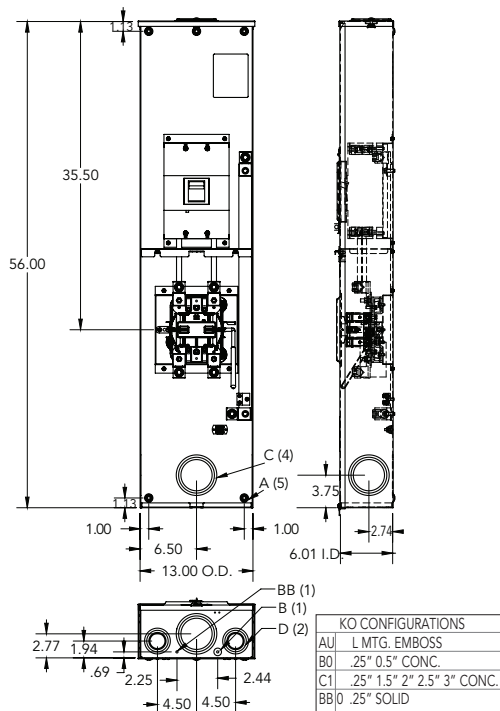
**FIG. A - 200 Amps OH/UG (U5764)**



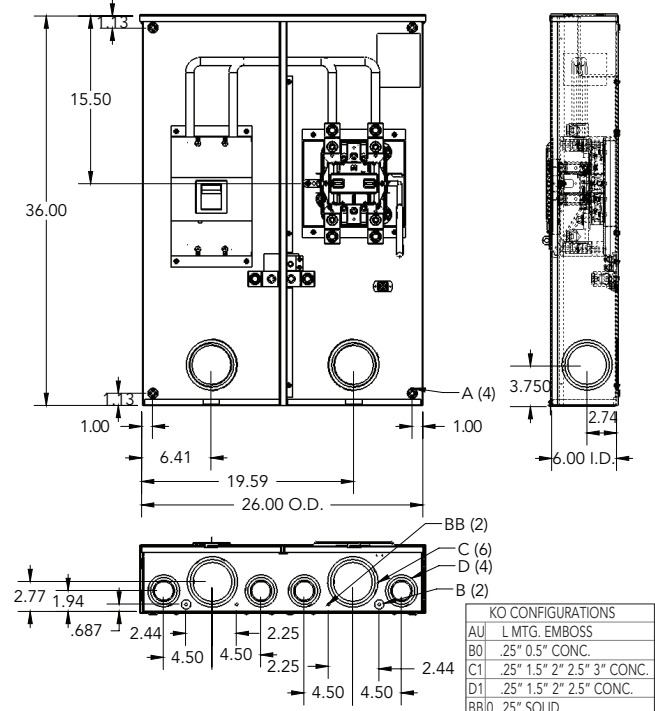
**FIG. B - 200 Amps UG (U5764)**



**FIG. C - 320 Amps OH/UG (U5794)**



**FIG. D - 320 Amps UG (U5797)**



Please consult serving utility for their requirements prior to ordering or installing, as specifications and approvals vary by utility, and may require local electrical inspector approval. All installations must be installed by a licensed electrician and must comply with all national and local codes, laws and regulations. Milbank reserves the right to make changes in specifications and features shown without notice or obligation.

