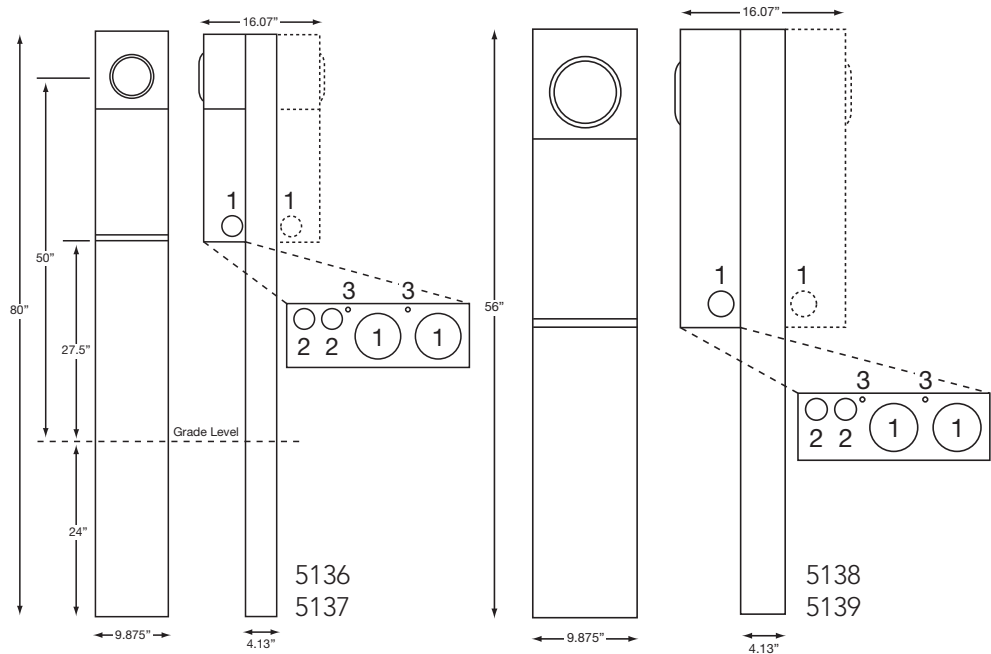


Versa-Ped Service Pedestals

U5136, U5137, U5138 & U5139 Series



U5136-O-200S



Specifications & Features

- UL listed
- 200 amp maximum, 120/240 volt, single phase, three wire meter socket
- Ringless meter socket with horn bypass and stainless steel latch
- Short circuit withstand rating of 22K AIC
- Type 3R construction for durable outdoor use, one piece post — lockable and sealable
- Milbank grey polyester powder coat finish
- Wire terminations accept copper or aluminum conductors
- Line & neutral: (2) #6-350 kcmil per phase
- Line ground: (4) #14-1/0
- Load (CB): For 200A breaker - 2/0-300 kcmil per pole.
- Load neutral: (1) #6-350 kcmil
- Load ground: (2) #14-1/0, (4) #14/6
- Milbank plug-in main circuit breaker: available in 100, 125, 150 & 200 amp, type UQFPH-M
- Four-circuit plated copper branch circuit interior accepts (2) 2-pole or (4) 1-pole standard plug-in type circuit breakers up to a total of 125 amps maximum. Acceptable manufacturers: Cutler-Hammer, GE, Siemens, or Square D Homeline.
- Factory or field installable receptacle bridge and receptacle / circuit breaker parts available. See accessories.

Please consult serving utility for their requirements prior to ordering or installing, as specifications and approvals vary by utility, and may require local electrical inspector approval. All installations must be installed by a licensed electrician and must comply with all national and local codes, laws and regulations. Milbank reserves the right to make changes in specifications and features shown without notice or obligation.



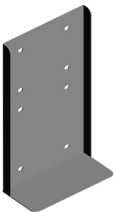
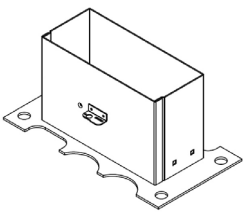
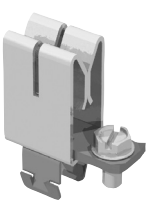
4 Terminal | Meter Main Pedestal | Ringless

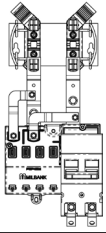
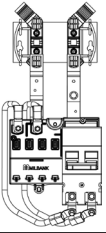
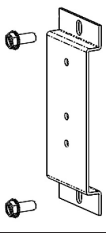
Catalog Number	Service	Mounting	Meter Positions	Main CB	Branch Circuits	Bypass	Connectors CU/AL		Knockouts		
							Line	Load	1	2	3
U5136-O	UG	Direct Burial	Single	—	4	Horn	#6-350	CB	2	1/2, 3/4	1/4
U5136-O-100S	UG	Direct Burial	Single	100A	4	Horn	#6-350	CB	2	1/2, 3/4	1/4
U5136-O-200S	UG	Direct Burial	Single	200A	4	Horn	#6-350	CB	2	1/2, 3/4	1/4
U5137-O	UG	Direct Burial	Double	—	4	Horn	#6-350	CB	2	1/2, 3/4	1/4
U5137-O-100S	UG	Direct Burial	Double	100A	4	Horn	#6-350	CB	2	1/2, 3/4	1/4
U5137-O-200S	UG	Direct Burial	Double	200A	4	Horn	#6-350	CB	2	1/2, 3/4	1/4
U5138-O	UG	Pad Mount	Single	—	4	Horn	#6-350	CB	2	1/2, 3/4	1/4
U5138-O-200S	UG	Pad Mount	Single	200A	4	Horn	#6-350	CB	2	1/2, 3/4	1/4
U5139-O	UG	Pad Mount	Double	—	4	Horn	#6-350	CB	2	1/2, 3/4	1/4
U5139-O-200S	UG	Pad Mount	Double	200A	4	Horn	#6-350	CB	2	1/2, 3/4	1/4

Notes

- **Series to Parallel Conversion:** For field converting from parallel wired to series wired order **K5193** should be added above the Parallel to Series
- **Parallel to Series Conversion:** For field converting from parallel wired to series wired order **K5194**.
- **Fifth Terminal:** For field installed fifth terminal, order **K5T**.
- **Stabilizer Foot:** For field installed stabilizer foot, order **K5415**.
- **Penta Bolt Locking:** For field installed pedestal fronts penta bolt locking, order **K5039**.
- **Receptacles:** Consult factory for installed receptacle assemblies.

Accessories

		
K5415	K5035	K5T
Stabilizer foot with hardware (recommended for double pedestals)	Pad mount kit with hardware; required for U5138/U5139 pad mount pedestals	Fifth terminal kit for 208y/120 volt 3-wire service

		
K5193	K5194	K3450
Bus kit to convert series-wired main breaker to parallel	Bus kit to convert parallel-wired main breaker to series	Telephone/CATV mounting bracket (mounts left or right)

Please consult serving utility for their requirements prior to ordering or installing, as specifications and approvals vary by utility, and may require local electrical inspector approval. All installations must be installed by a licensed electrician and must comply with all national and local codes, laws and regulations. Milbank reserves the right to make changes in specifications and features shown without notice or obligation.

