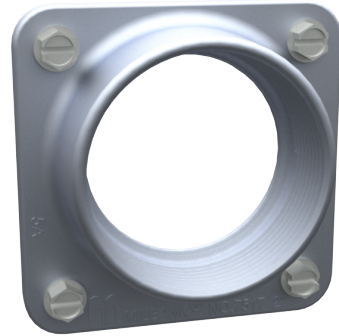




MILBANK[®]
ENERGY AT WORK

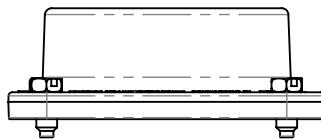
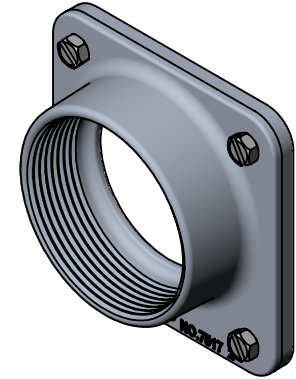
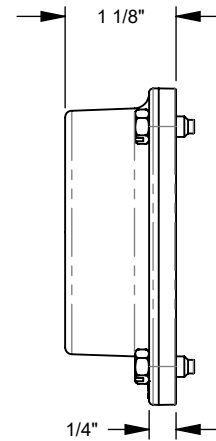
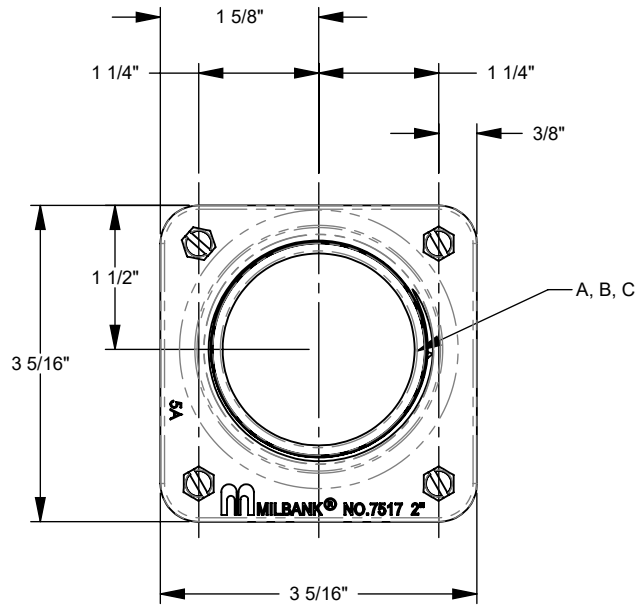
A7517



Catalog Number	A7517
Marketing Product Description	2 Inch Hub And Mounting Screws
UPC	784572110427
Length (IN)	3.296
Width (IN)	3.296
Height (IN)	1.156
Weight (LB)	0.27
Brand Name	Milbank
Type	Small Meter Socket Hub
Special Features	Includes 4 Hub Screws
Application	Metering Accessory
Standard	UL Listed
Size	2 Inch
Connection	None
Material	Unpainted Aluminum

Please consult serving utility for their requirements prior to ordering or installing, as specifications and approvals vary by utility and may require local electrical inspector approval. All installations must be installed by a licensed electrician and must comply with all national and local codes, laws and regulations. Milbank reserves the right to make changes in specifications and features shown without notice or obligation.

FEATURE TABLE	
ITEM	DESCRIPTION
A	2" PIPE SIZE
B	11 1/2 THREADS PER INCH
C	NPT THREAD TYPE



Version:

1

**All dimensions are +/- 1/16".
Drawing views are not to scale.**

Please consult serving utility for their requirements prior to ordering or installing, as specifications and approvals vary by utility, and may require local electrical inspector approval. All installations must be installed by a licensed electrician and must comply with all national and local codes, laws and regulations. Milbank reserves the right to make changes in specifications and features shown without notice or obligation.