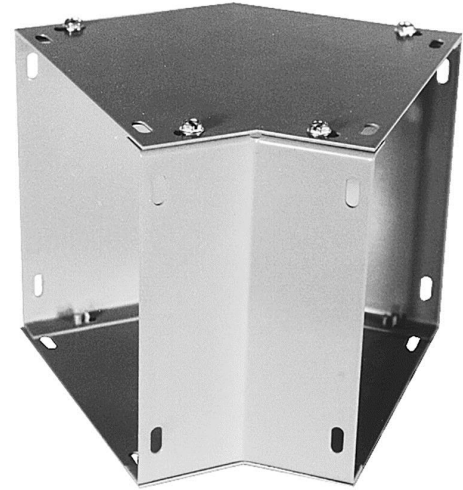




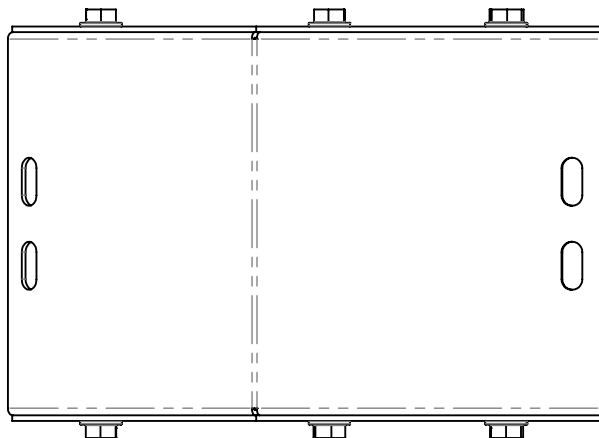
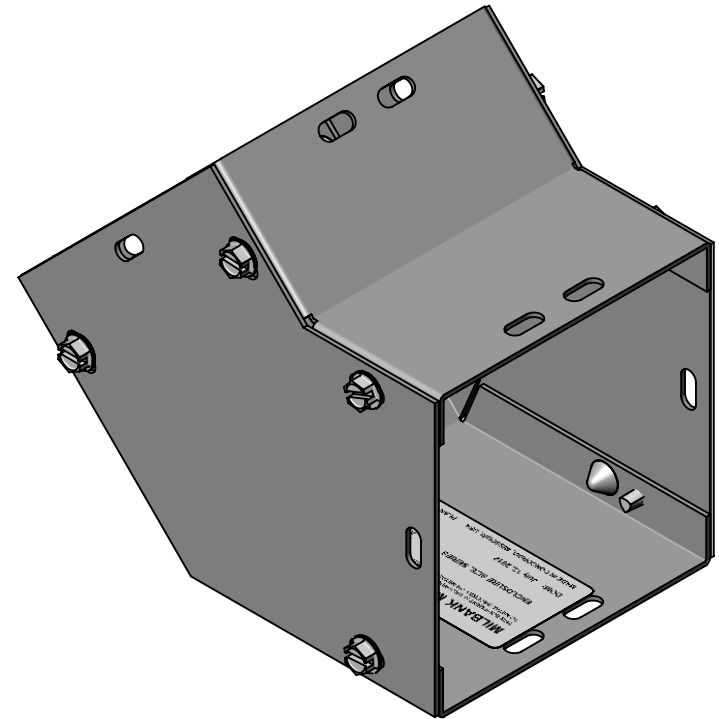
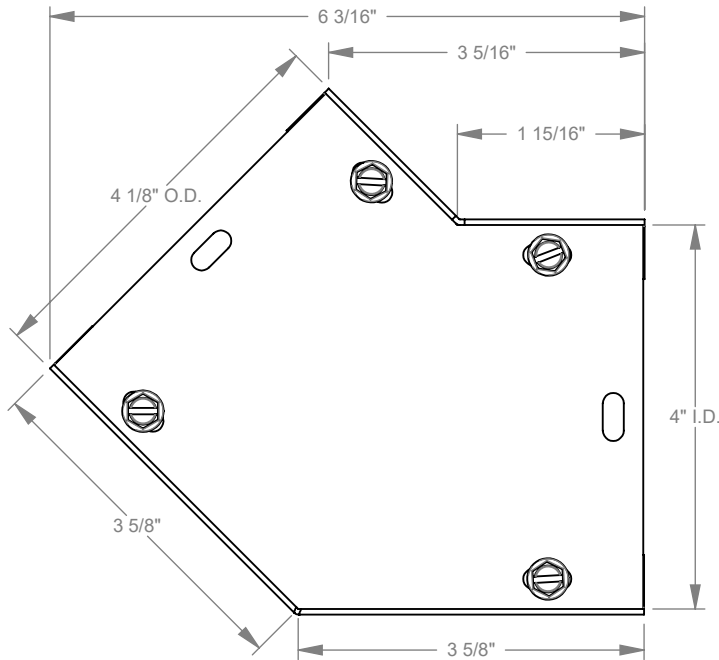
**MILBANK**  
ENERGY AT WORK



## 44L45S

Catalog Number	44L45S
Marketing Product Description	6.187x4X5.469 Wireway Elbow 45 Side Wall Access ANSI 61 Gray Steel
UPC	784572106901
Length (IN)	4
Width (IN)	5.469
Height (IN)	6.187
Weight (LB)	1.9
Brand Name	Milbank
Type	Wireway 45 Degree Top Access Elbow
Application	Wireway Accessory
Standard	UL Listed
Cover Type	Screw Cover
Enclosure	Indoor Enclosure
Nominal Cross Section	4x4
Material	Steel
Finish	ANSI 61 Gray Powder Coat Finish
Consist Of	Fitting
Knockouts	False
NEMA Rating	Type 1

Please consult serving utility for their requirements prior to ordering or installing, as specifications and approvals vary by utility and may require local electrical inspector approval. All installations must be installed by a licensed electrician and must comply with all national and local codes, laws and regulations. Milbank reserves the right to make changes in specifications and features shown without notice or obligation.



Version:

1

**All dimensions are +/- 1/16".  
Drawing views are not to scale.**

Please consult serving utility for their requirements prior to ordering or installing, as specifications and approvals vary by utility, and may require local electrical inspector approval. All installations must be installed by a licensed electrician and must comply with all national and local codes, laws and regulations. Milbank reserves the right to make changes in specifications and features shown without notice or obligation.