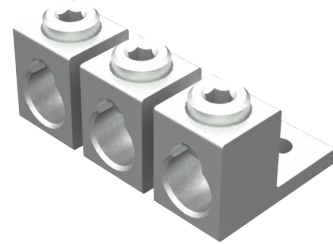


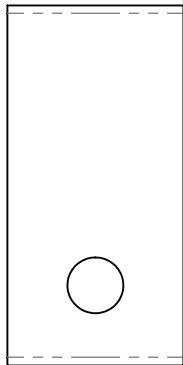
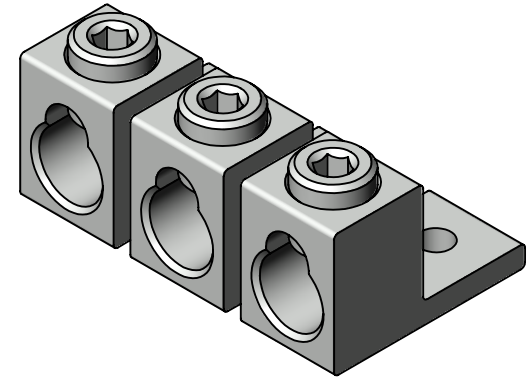
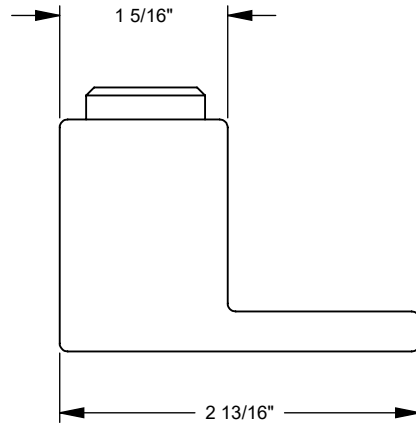
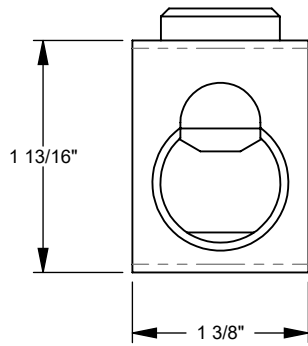


K1540



Catalog Number	K1540
Marketing Product Description	Lug Kit Single 4-600kcmil Or Two 1 Aught-250kcmil Mechanical .375 Stud Hole 3 Per Kit
UPC	784572113343
Length (IN)	7
Width (IN)	2.813
Height (IN)	5
Weight (LB)	1
Brand Name	Milbank
Type	Wire Connector Kit
Application	Metering Accessory
Standard	UL Listed
Size	7L x 2.813W x 5H
Connection	Mechanical
Conductor Range	4 AWG to 600 kcmil or Two 1/0 AWG to 250 kcmil
Mounting	Stud
Number Of Conductors	1
Material	Aluminum
Voltage Rating	Up to 600 Volts Alternating Current
Insulation	None
Temperature Rating	75 Degrees Celsius

Please consult serving utility for their requirements prior to ordering or installing, as specifications and approvals vary by utility and may require local electrical inspector approval. All installations must be installed by a licensed electrician and must comply with all national and local codes, laws and regulations. Milbank reserves the right to make changes in specifications and features shown without notice or obligation.



MILBANK
ENERGY AT WORK

Version:

1

**All dimensions are +/- 1/16".
Drawing views are not to scale.**

Please consult serving utility for their requirements prior to ordering or installing, as specifications and approvals vary by utility, and may require local electrical inspector approval. All installations must be installed by a licensed electrician and must comply with all national and local codes, laws and regulations. Milbank reserves the right to make changes in specifications and features shown without notice or obligation.