



**MILBANK**  
ENERGY AT WORK

## U1253-X-KK-K3-PED

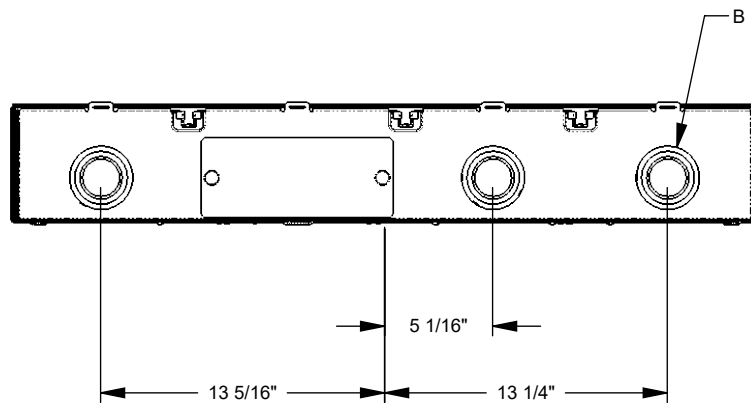
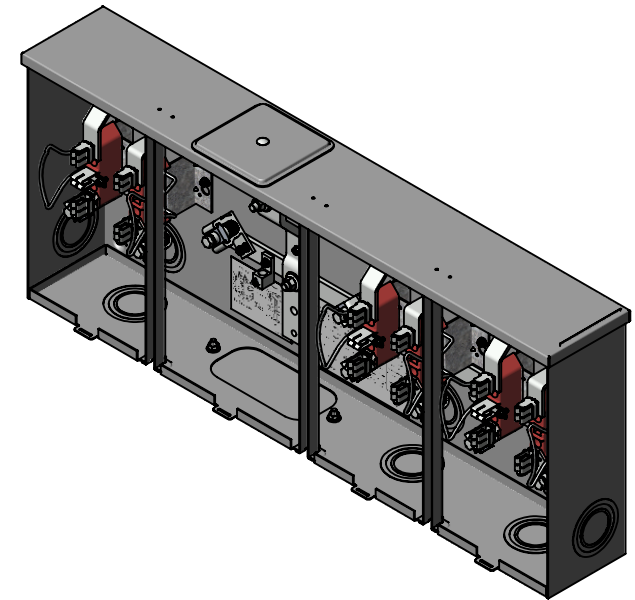
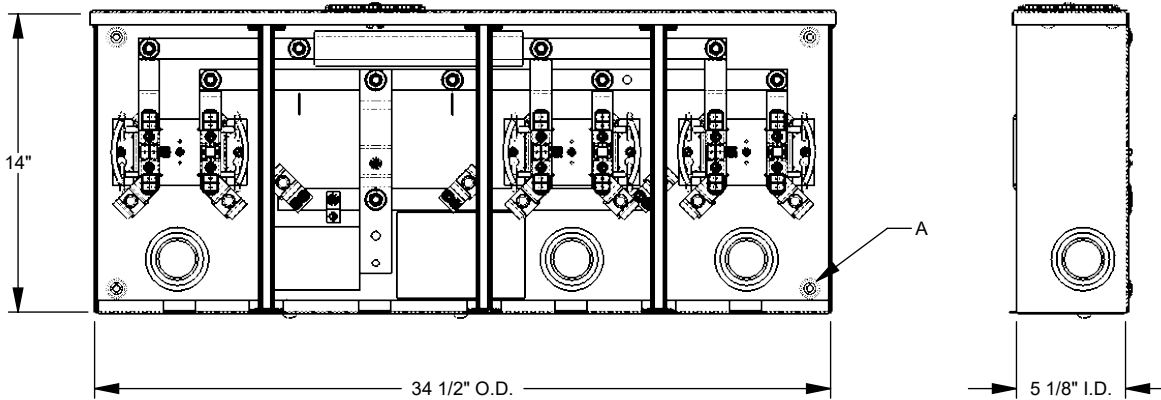


Catalog Number	U1253-X-KK-K3-PED
Marketing Product Description	4 Terminal Ringless Large Closing Plate Horn Bypass 3 Position Single Connector 4-600kcmil Pedestal Mount Provision
UPC	784572133532
Length (IN)	5.125
Width (IN)	34.5
Height (IN)	14
Brand Name	Milbank
Type	Ringless Meter Socket
Application	Meter Socket
Standard	UL Listed;Type 3R
Voltage Rating	300 Volts Alternating Current
Amperage Rating	200 Continuous Ampere
Phase	1 Phase
Frequency Rating	60 Hertz
Size	5.125L x 34.5W x 14H
Number Of Cutouts	0
Cutout Size	No Main Breaker
Cable Entry	Overhead or Underground with Center Wireway
Terminal	Single Mechanical
Insulation	Glass Polyester

Mounting	Surface Mount
Enclosure	G90 Galvanized Steel with Powder Coat Finish
Jaw Quantity	4 Terminal
Bypass Type	Horn Bypass
Number of Meter Positions	3 Positions
Equipment Ground	Ground Lug
Hub Opening	Large Closing Plate
Line Side Wire Range	4 AWG - 600 kcmil or Two 1/0 AWG - 250 kcmil
Load Side Wire Range	6 AWG - 350 kcmil
Number Of Receptacles	0

Please consult serving utility for their requirements prior to ordering or installing, as specifications and approvals vary by utility and may require local electrical inspector approval. All installations must be installed by a licensed electrician and must comply with all national and local codes, laws and regulations. Milbank reserves the right to make changes in specifications and features shown without notice or obligation.

FEATURE TABLE		
ITEM	QTY	DESCRIPTION
A	4	STD. MNTG. EMBOSS
B	8	1/4, 1/2, 2, 2 1/2 CONC. K.O.



Version:

1

**All dimensions are +/- 1/16".  
Drawing views are not to scale.**

Please consult serving utility for their requirements prior to ordering or installing, as specifications and approvals vary by utility, and may require local electrical inspector approval. All installations must be installed by a licensed electrician and must comply with all national and local codes, laws and regulations. Milbank reserves the right to make changes in specifications and features shown without notice or obligation.