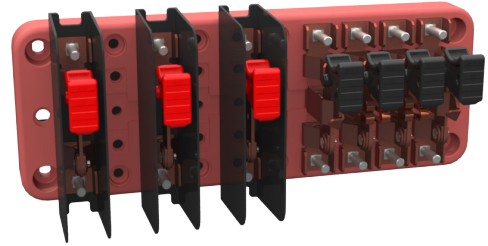




**MILBANK**<sup>®</sup>  
ENERGY AT WORK

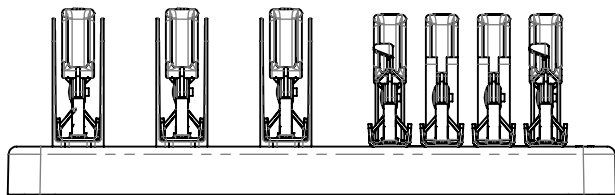
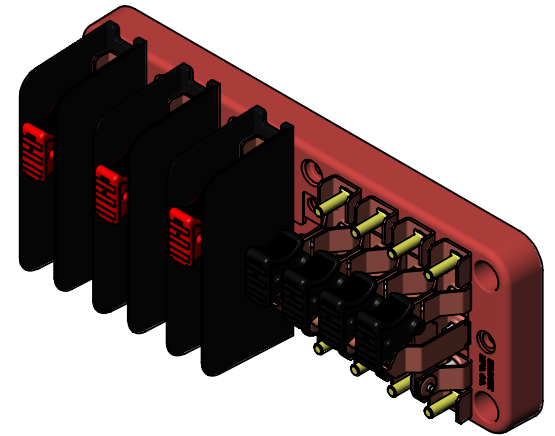
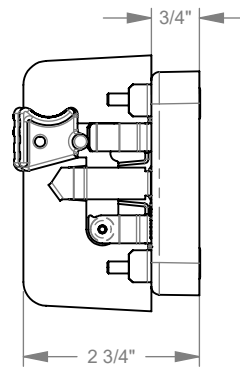
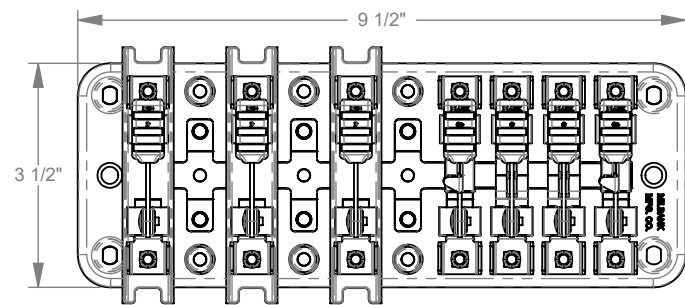
## TS07-0049



Catalog Number	TS07-0049
Marketing Product Description	7 Pole Test Switch Configuration 0049
UPC	784572132092
Length (IN)	2.906
Width (IN)	9.5
Height (IN)	3.5
Weight (LB)	2.5
Brand Name	Milbank
Type	Instrument Rated Metering Test Switch
Application	Metering Accessory
Standard	UL Listed
Voltage Rating	600 Volts Alternating Current
Amperage Rating	20 Ampere
Number Of Poles	7
Frequency Rating	60 Hertz
Connection	Stud
Material	Bronze Alloy
Enclosure	No Enclosure
Insulation	Non Metallic
Handle Color Arrangement	Red; Red; Red; Black; Black; Black; Black

Pole Arrangement	Barrier; Potential; Barrier; Barrier; Potential; Barrier; Barrier; Potential; Barrier; Current; Current Return; Current Return; Current
------------------	---

Please consult serving utility for their requirements prior to ordering or installing, as specifications and approvals vary by utility and may require local electrical inspector approval. All installations must be installed by a licensed electrician and must comply with all national and local codes, laws and regulations. Milbank reserves the right to make changes in specifications and features shown without notice or obligation.



**MILBANK**  
ENERGY AT WORK

Version:

**1**

**All dimensions are +/- 1/16".  
Drawing views are not to scale.**

Please consult serving utility for their requirements prior to ordering or installing, as specifications and approvals vary by utility, and may require local electrical inspector approval. All installations must be installed by a licensed electrician and must comply with all national and local codes, laws and regulations. Milbank reserves the right to make changes in specifications and features shown without notice or obligation.