



NU8980-O-200-KK

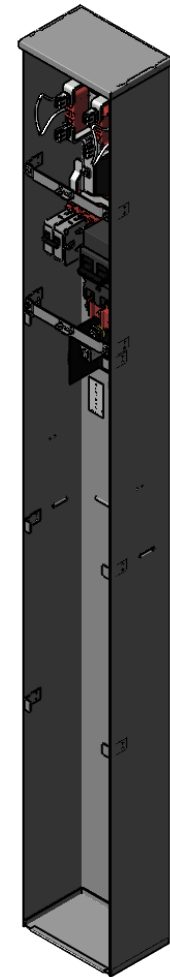
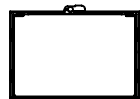
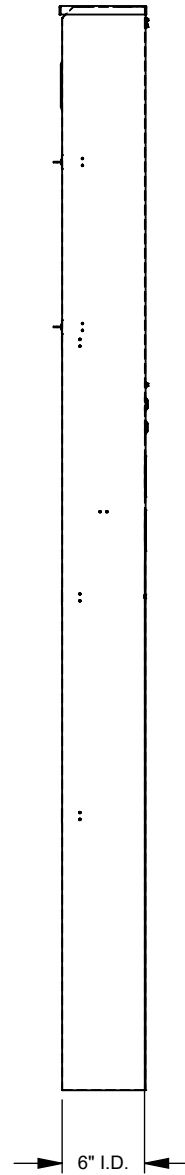
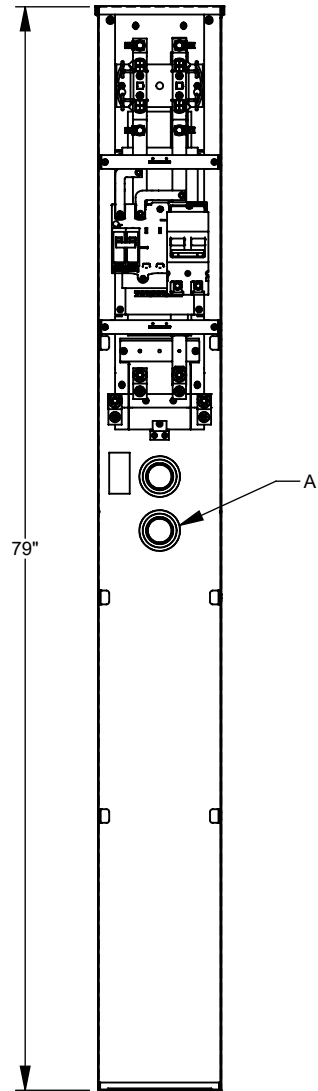


Catalog Number	NU8980-O-200-KK
Marketing Product Description	4 Terminal Ringless Plain Top Horn Bypass 1-200 Ampere Main Breaker Single Pedestal Direct Bury
UPC	784572215290
Length (IN)	6
Width (IN)	9
Height (IN)	79
Brand Name	Milbank
Type	Ringless Meter Socket
Application	Meter Socket With Main And Load Center
Standard	UL Listed;Type 3R
Voltage Rating	Up to 240 Volts Alternating Current
Amperage Rating	200 Continuous Ampere
Phase	1 Phase
Frequency Rating	60 Hertz
Size	6L x 9W x 79H
Number Of Cutouts	1
Cutout Size	One 200 Ampere Main Breaker
Cable Entry	Underground
Terminal	Single Mechanical

Insulation	Glass Polyester
Mounting	Pedestal
Enclosure	G90 Galvanized Steel with Powder Coat Finish
Jaw Quantity	4 Terminal
Bypass Type	Horn Bypass
Number of Meter Positions	1 Position
Equipment Ground	2 Barrel Ground Lug
Hub Opening	Plain Top
Line Side Wire Range	6 AWG - 350 kcmil
Number Of Receptacles	0

Please consult serving utility for their requirements prior to ordering or installing, as specifications and approvals vary by utility and may require local electrical inspector approval. All installations must be installed by a licensed electrician and must comply with all national and local codes, laws and regulations. Milbank reserves the right to make changes in specifications and features shown without notice or obligation.

FEATURE TABLE		
ITEM	QTY	DESCRIPTION
A	2	1/4, 1 1/2, 2, 2 1/2 CONC. K.O.



Version:

1

All dimensions are +/- 1/16".
Drawing views are not to scale.

Please consult serving utility for their requirements prior to ordering or installing, as specifications and approvals vary by utility, and may require local electrical inspector approval. All installations must be installed by a licensed electrician and must comply with all national and local codes, laws and regulations. Milbank reserves the right to make changes in specifications and features shown without notice or obligation.