



MILBANK
ENERGY AT WORK

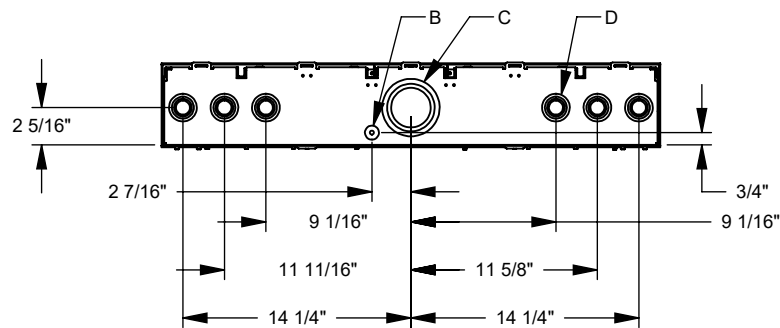
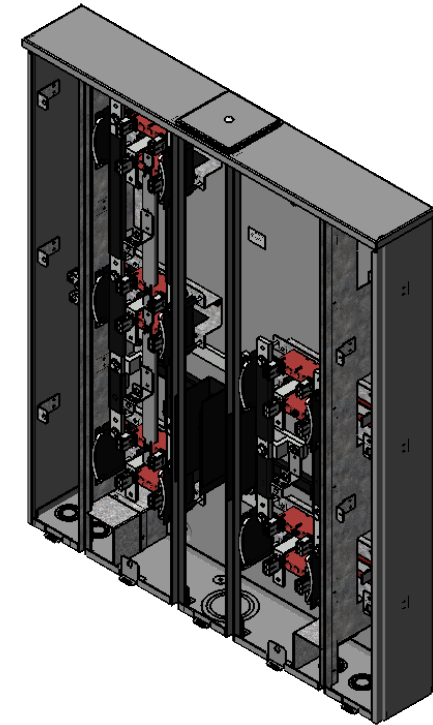
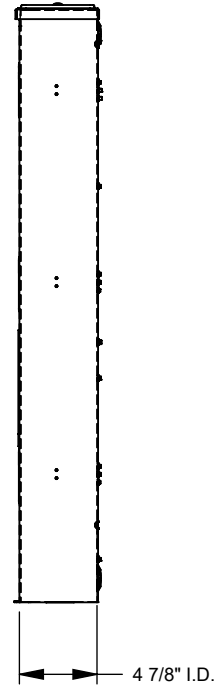
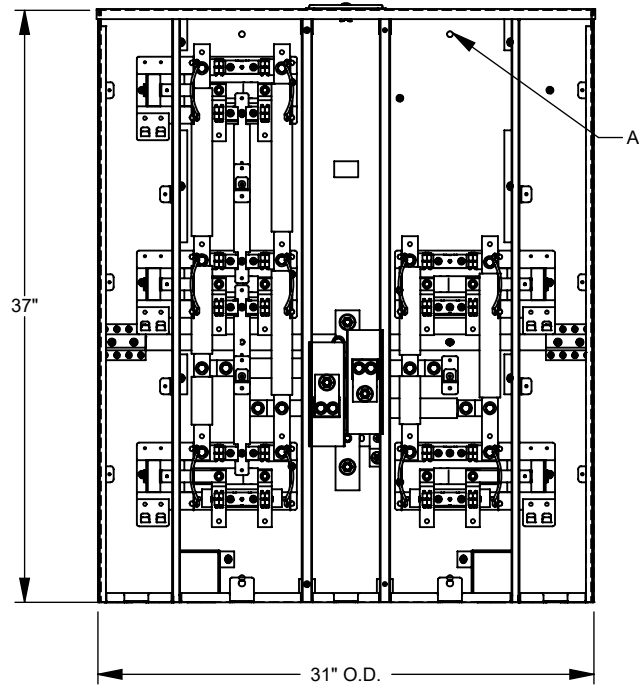
U2855-X-KK-PED



Catalog Number	U2855-X-KK-PED	Mounting	Surface Mount
Marketing Product Description	4 Terminal Ringless Large Closing Plate Horn Bypass 5 Position 5-125 Ampere Main Breaker Provision Pedestal Mount Provision	Enclosure	G90 Galvanized Steel with Powder Coat Finish
UPC	784572136182	Jaw Quantity	4 Terminal
Length (IN)	4.844	Bypass Type	Horn Bypass
Width (IN)	31	Number of Meter Positions	5 Positions
Height (IN)	37	Equipment Ground	Ground Lug
Brand Name	Milbank	Hub Opening	Large Closing Plate
Type	Ringless Meter Socket	Number Branch Circuits	5
Application	Meter Socket With Main	Number Of Receptacles	0
Standard	UL Listed;Type 3R		
Voltage Rating	Up to 240 Volts Alternating Current		
Amperage Rating	125 Continuous Ampere		
Phase	1 Phase		
Frequency Rating	60 Hertz		
Size	4.844L x 31W x 37H		
Number Of Cutouts	0		
Cutout Size	Breaker Provision		
Cable Entry	Overhead or Underground		
Terminal	3/8 Inch Stud		
Insulation	Glass Polyester		

Please consult serving utility for their requirements prior to ordering or installing, as specifications and approvals vary by utility and may require local electrical inspector approval. All installations must be installed by a licensed electrician and must comply with all national and local codes, laws and regulations. Milbank reserves the right to make changes in specifications and features shown without notice or obligation.

FEATURE TABLE		
ITEM	QTY	DESCRIPTION
A	4	TRANS. MNTG.EMBOSS
B	1	1/4, 1/2 CONC. K.O.
C	6	1/2, 3/4, 1, 1 1/4 CONC. K.O.
D	1	2, 2 1/2, 3 CONC. K.O.



All dimensions are +/- 1/16".
Drawing views are not to scale.

Version:

1

Please consult serving utility for their requirements prior to ordering or installing, as specifications and approvals vary by utility, and may require local electrical inspector approval. All installations must be installed by a licensed electrician and must comply with all national and local codes, laws and regulations. Milbank reserves the right to make changes in specifications and features shown without notice or obligation.