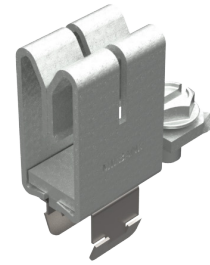




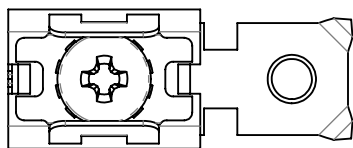
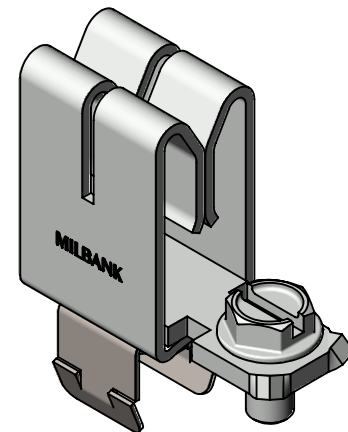
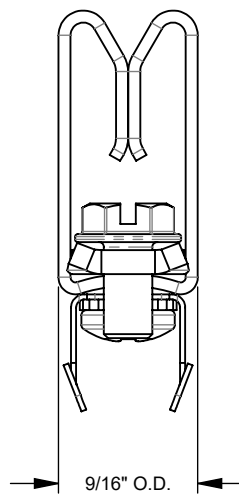
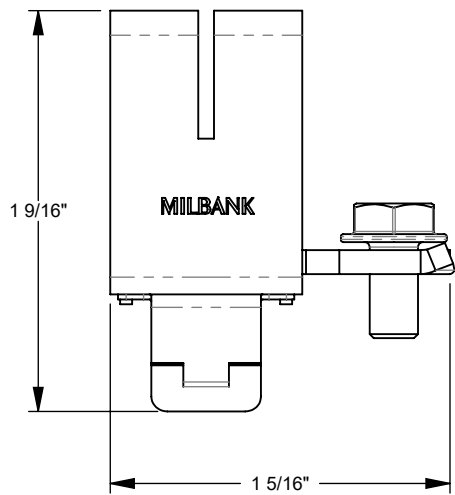
**MILBANK**<sup>®</sup>  
ENERGY AT WORK

## K5T



Catalog Number	K5T
Marketing Product Description	Fifth Terminal Use With 40 Block Square Hole
UPC	784572212565
Length (IN)	0.545
Width (IN)	1.347
Height (IN)	1.575
Weight (LB)	0.08
Brand Name	Milbank
Type	Fifth Terminal Kit
Special Features	3 OClock Position;9 OClock Position
Application	Metering Accessory
Connection	10-32 Screw
Wire Size	No Wire Required
Terminal Size	.545L x 1.347W x 1.575H
Voltage Rating	600 Volts Alternating Current
Material	Copper
Mounting	Plug In

Please consult serving utility for their requirements prior to ordering or installing, as specifications and approvals vary by utility and may require local electrical inspector approval. All installations must be installed by a licensed electrician and must comply with all national and local codes, laws and regulations. Milbank reserves the right to make changes in specifications and features shown without notice or obligation.



**MILBANK**  
ENERGY AT WORK

Version:

**1**

**All dimensions are +/- 1/16".  
Drawing views are not to scale.**

Please consult serving utility for their requirements prior to ordering or installing, as specifications and approvals vary by utility, and may require local electrical inspector approval. All installations must be installed by a licensed electrician and must comply with all national and local codes, laws and regulations. Milbank reserves the right to make changes in specifications and features shown without notice or obligation.