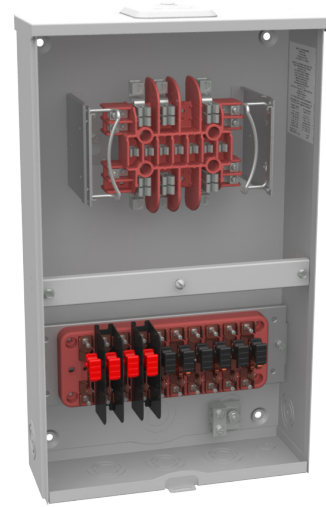




**MILBANK**  
ENERGY AT WORK

## UC7449-XL-871



Catalog Number	UC7449-XL-871
Marketing Product Description	13 Terminal Ringless Small Closing Plate Test Switch Prewired
UPC	784572285132
Length (IN)	4.125
Width (IN)	12
Height (IN)	20
Brand Name	Milbank
Type	Ringless Meter Socket
Application	Meter Socket
Standard	UL Listed;Type 3R
Voltage Rating	600 Volts Alternating Current
Amperage Rating	20 Continuous Ampere
Phase	3 Phase
Frequency Rating	60 Hertz
Size	4.125L x 12W x 20H
Number Of Cutouts	0
Cutout Size	No Main Breaker
Cable Entry	Overhead or Underground
Terminal	Single Mechanical
Insulation	Glass Polyester
Mounting	Surface Mount

Enclosure	G90 Galvanized Steel with Powder Coat Finish
-----------	--

Jaw Quantity	13 Terminal
--------------	-------------

Bypass Type	No Bypass
-------------	-----------

Number of Meter Positions	1 Position
---------------------------	------------

Equipment Ground	Ground Lug
------------------	------------

Hub Opening	Small Closing Plate
-------------	---------------------

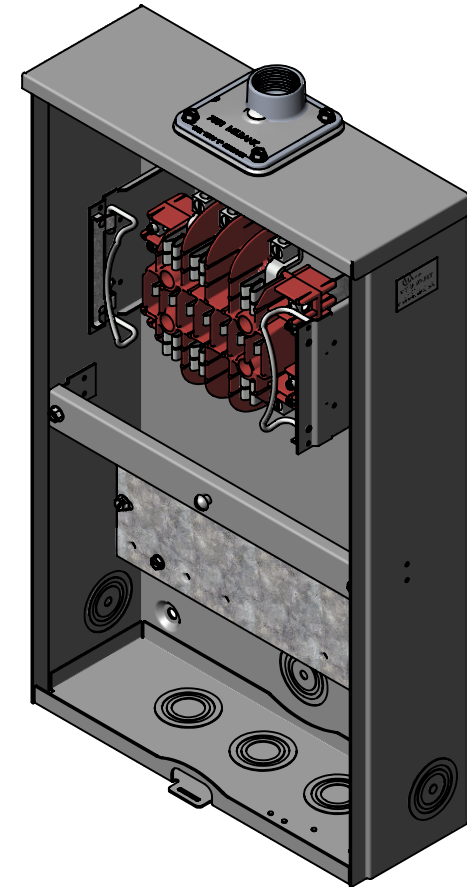
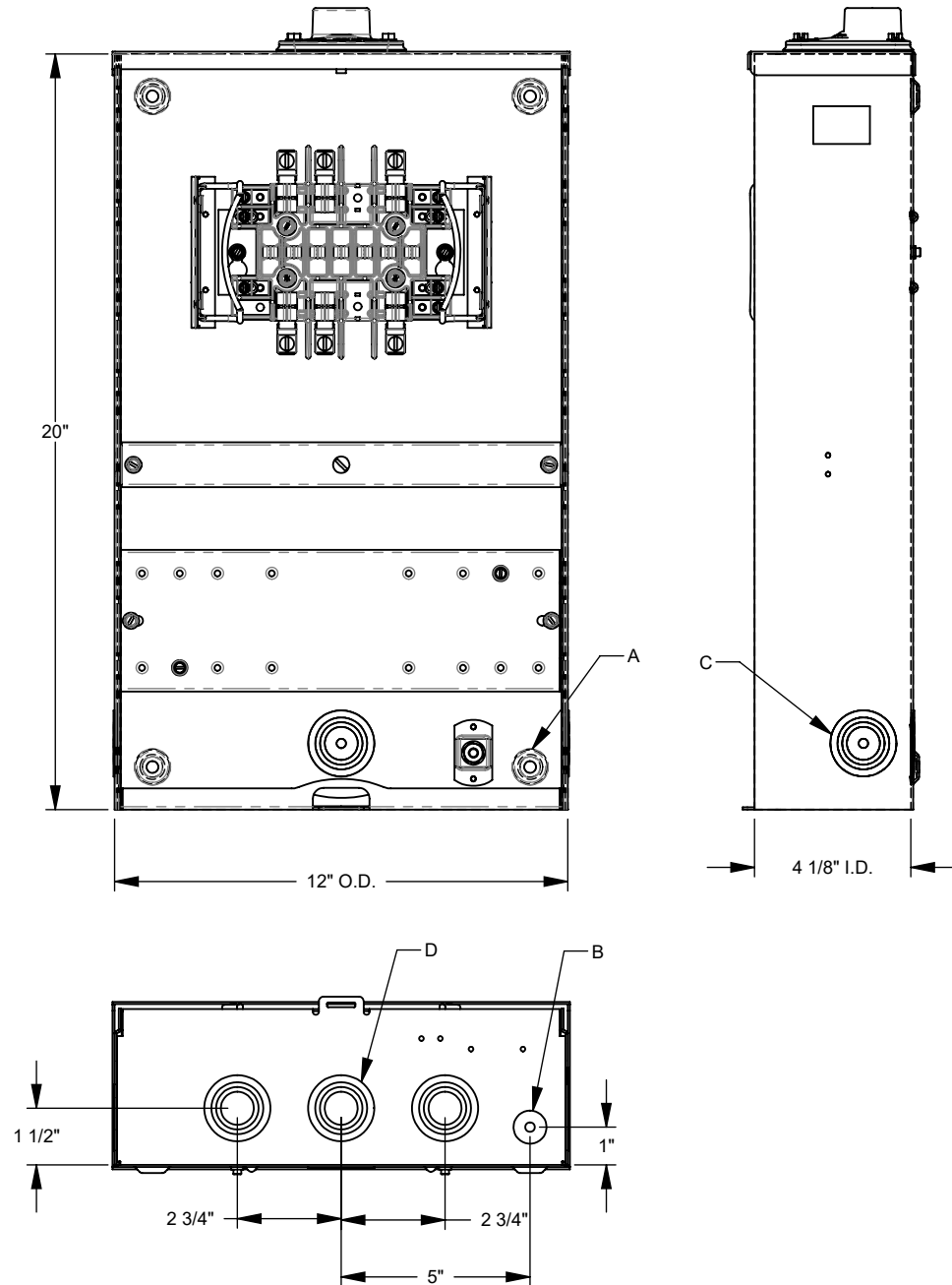
Line Side Wire Range	12 - 10 AWG
----------------------	-------------

Load Side Wire Range	12 - 10 AWG
----------------------	-------------

Number Of Receptacles	0
-----------------------	---

Please consult serving utility for their requirements prior to ordering or installing, as specifications and approvals vary by utility and may require local electrical inspector approval. All installations must be installed by a licensed electrician and must comply with all national and local codes, laws and regulations. Milbank reserves the right to make changes in specifications and features shown without notice or obligation.

FEATURE TABLE		
ITEM	QTY	DESCRIPTION
A	4	STD. MNTG. EMBOSS
B	1	1/4, 1/2 CONC. K.O.
C	3	1/4, 1/2, 3/4, 1, 1 1/4 CONC. K.O.
D	3	1/2, 3/4, 1, 1 1/4 CONC. K.O.



**MILBANK**  
ENERGY AT WORK

Version:

**1**

**All dimensions are +/- 1/16".  
Drawing views are not to scale.**

Please consult serving utility for their requirements prior to ordering or installing, as specifications and approvals vary by utility, and may require local electrical inspector approval. All installations must be installed by a licensed electrician and must comply with all national and local codes, laws and regulations. Milbank reserves the right to make changes in specifications and features shown without notice or obligation.