



MILBANK
ENERGY AT WORK

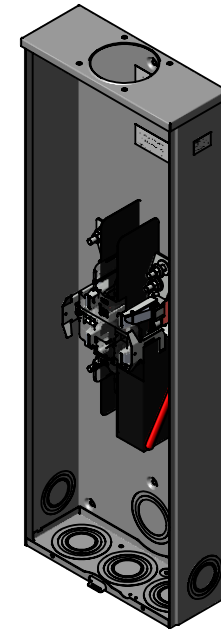
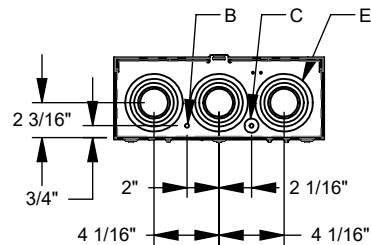
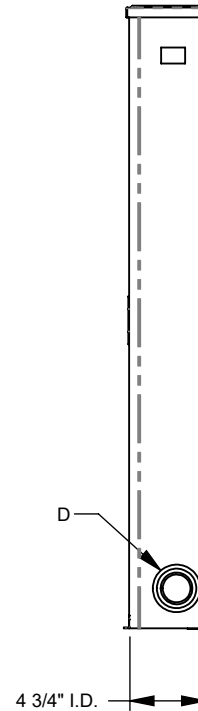
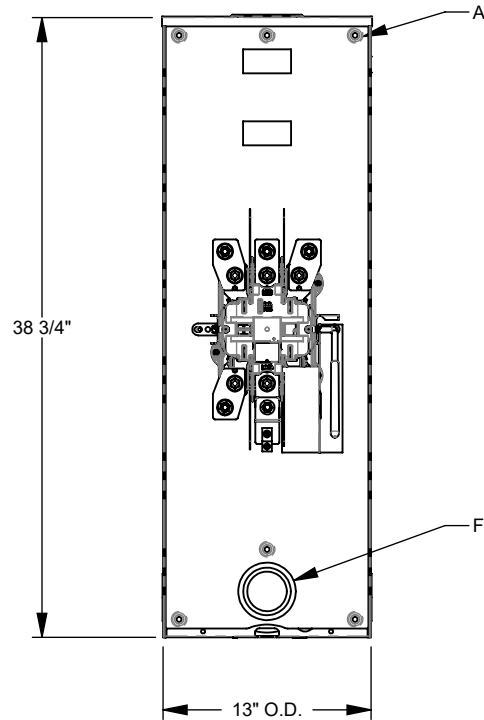
U1779-RRL-K3-K2



Catalog Number	U1779-RRL-K3-K2	Mounting	Surface Mount
Marketing Product Description	4 Terminal Ringless Large Hub Open Adapt To Small Hub Open Lever Bypass Single Connector 4-600kcmil Double Connector 6-350kcmil	Enclosure	G90 Galvanized Steel with Powder Coat Finish
UPC	784572310124	Jaw Quantity	4 Terminal
Length (IN)	4.844	Bypass Type	Lever Bypass
Width (IN)	13	Number of Meter Positions	1 Position
Height (IN)	38.75	Equipment Ground	Bonded Ground Strap
Brand Name	Milbank	Hub Opening	Large Hub Opening Adapted to Small Hub Opening
Type	Ringless Meter Socket	Line Side Wire Range	4 AWG - 600 kcmil or Two 1/0 AWG - 250 kcmil
Application	Meter Socket	Load Side Wire Range	Two 6 AWG - 350 kcmil
Standard	UL Listed;Type 3R	Number Of Receptacles	0
Voltage Rating	600 Volts Alternating Current		
Amperage Rating	320 Continuous Ampere		
Phase	1 Phase		
Frequency Rating	60 Hertz		
Size	4.844L x 13W x 38.75H		
Number Of Cutouts	0		
Cutout Size	No Main Breaker		
Cable Entry	Overhead		
Terminal	Single Mechanical		
Insulation	Glass Polyester		

Please consult serving utility for their requirements prior to ordering or installing, as specifications and approvals vary by utility and may require local electrical inspector approval. All installations must be installed by a licensed electrician and must comply with all national and local codes, laws and regulations. Milbank reserves the right to make changes in specifications and features shown without notice or obligation.

FEATURE TABLE		
ITEM	QTY	DESCRIPTION
A	6	U/L MNTG.EMBOSS
B	1	¼ SOLID K.O.
C	1	¼, ½ CONC. K.O.
D	3	1, 1¼, 1½, 2, 2½, 3 CONC. K.O.
E	2	1¼, 1½, 2, 2½ CONC. K.O.
F	1	2, 2½, 3 CONC. K.O.



MILBANK
ENERGY AT WORK

Version:

1

**All dimensions are +/- 1/16".
Drawing views are not to scale.**

Please consult serving utility for their requirements prior to ordering or installing, as specifications and approvals vary by utility, and may require local electrical inspector approval. All installations must be installed by a licensed electrician and must comply with all national and local codes, laws and regulations. Milbank reserves the right to make changes in specifications and features shown without notice or obligation.