



MILBANK
ENERGY AT WORK

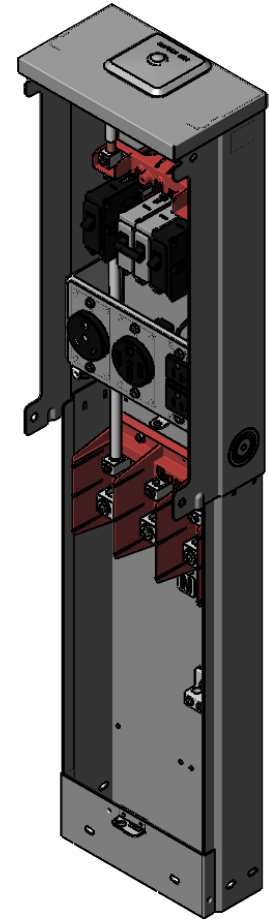
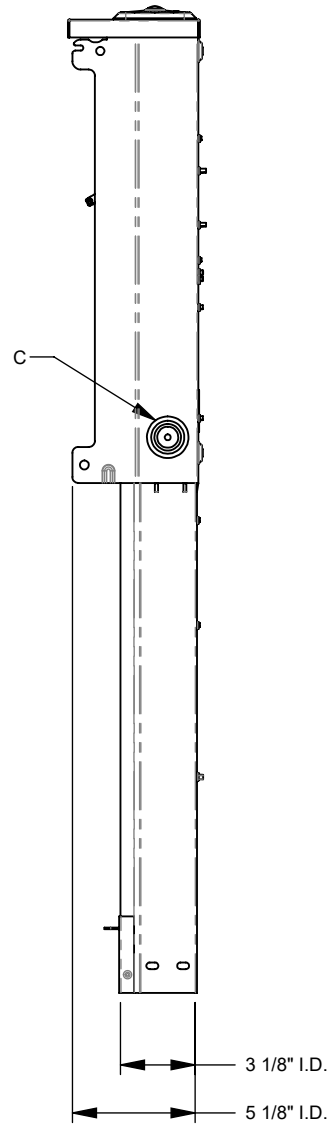
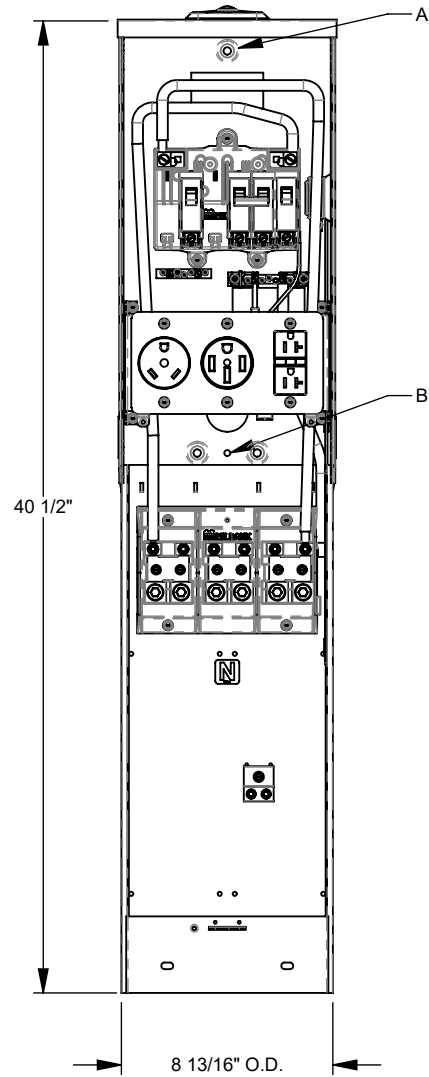
U5210-XL-75-LPC



Catalog Number	U5210-XL-75-LPC	Cutout Size	One Single Pole 20 Ampere Breaker and One Single Pole 30 Ampere Breaker and One Double Pole 50 Ampere Breaker
Marketing Product Description	Unmetered Small Closing Plate TT30 1450 520 Light Kit With Photo Control Single Pedestal Pad Mount	Cable Entry	Underground
UPC	784572320307	Terminal	Double Mechanical
Length (IN)	5.188	Insulation	Glass Polyester
Width (IN)	8.656	Mounting	Pedestal
Height (IN)	40.5	Enclosure	G90 Galvanized Steel with Powder Coat Finish
Brand Name	Milbank	Jaw Quantity	0 Terminals
Type	Unmetered Power Supply	Bypass Type	No Bypass
Special Features	Single Pole 20 Ampere Breaker and Single Pole 30 Ampere Breaker and Double Pole 50 Ampere Breaker	Number of Meter Positions	Single Power Head
Application	RV Power	Equipment Ground	2 Barrel Ground Lug and Ground Bar
Standard	UL Listed;Type 3R	Hub Opening	Small Closing Plate
Voltage Rating	Up to 240 Volts Alternating Current	Line Side Wire Range	6 AWG - 350 kcmil
Amperage Rating	125 Continuous Ampere	Number Branch Circuits	2
Phase	1 Phase	Number Of Receptacles	3
Frequency Rating	60 Hertz	Receptacle Configuration	One NEMA 14-50 and One NEMA TT30 and One NEMA 5-20 Ground Fault
Size	5.188L x 8.656W x 40.5H		
Number Of Cutouts	3		

Please consult serving utility for their requirements prior to ordering or installing, as specifications and approvals vary by utility and may require local electrical inspector approval. All installations must be installed by a licensed electrician and must comply with all national and local codes, laws and regulations. Milbank reserves the right to make changes in specifications and features shown without notice or obligation.

FEATURE TABLE		
ITEM	QTY	DESCRIPTION
A	3	U/L MNTG.EMBOSS
B	1	1 1/4 SOLID K.O.
C	2	1/4, 1/2, 3/4, 1, 1 1/4 CONC. K.O.



Version:

1

**All dimensions are +/- 1/16".
Drawing views are not to scale.**

Please consult serving utility for their requirements prior to ordering or installing, as specifications and approvals vary by utility, and may require local electrical inspector approval. All installations must be installed by a licensed electrician and must comply with all national and local codes, laws and regulations. Milbank reserves the right to make changes in specifications and features shown without notice or obligation.