



MILBANK[®]
ENERGY AT WORK

U4808-X-21-BLG

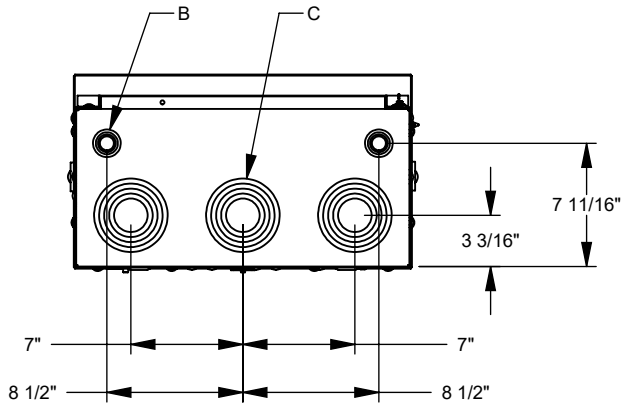
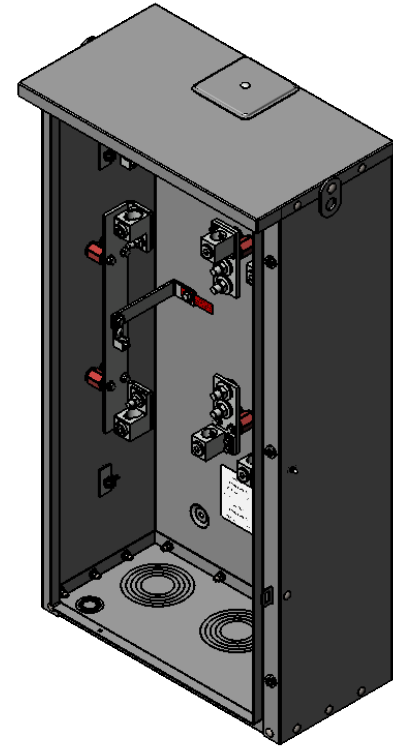
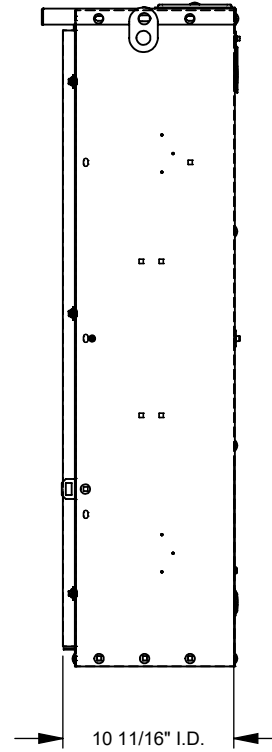
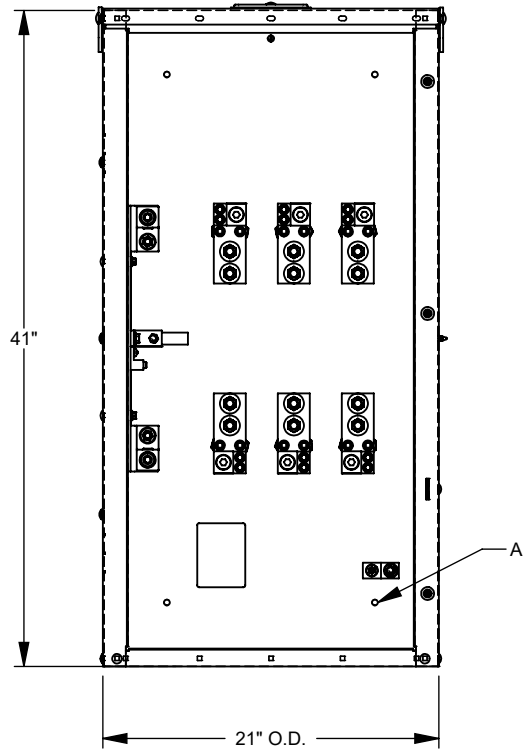


Catalog Number	U4808-X-21-BLG
Marketing Product Description	13 Terminal Ringless Large Closing Plate Test Switch Prewired 200-400 Ampere Painted Steel Single Front Piano Hinge Cover Hasp Current Transformer Mounting Included 120-208 Volt
UPC	784572318274
Length (IN)	10
Width (IN)	21
Height (IN)	41
Brand Name	Milbank
Type	Ringless Meter Socket
Application	Meter Socket
Standard	UL Listed;Type 3R
Voltage Rating	600 Volts Alternating Current
Amperage Rating	400 Continuous Ampere
Phase	3 Phase
Frequency Rating	60 Hertz
Size	10L x 21W x 41H
Number Of Cutouts	0
Cutout Size	No Main Breaker
Cable Entry	Overhead or Underground
Terminal	Single Mechanical

Insulation	Glass Polyester
Mounting	Surface Mount
Enclosure	G90 Galvanized Steel with Powder Coat Finish
Jaw Quantity	13 Terminal
Bypass Type	No Bypass
Number of Meter Positions	1 Position
Equipment Ground	Ground Lug
Hub Opening	Large Closing Plate
Line Side Wire Range	4 AWG - 600 kcmil or Two 1/0 AWG - 250 kcmil
Load Side Wire Range	4 AWG - 600 kcmil or Two 1/0 AWG - 250 kcmil
Barrel Lock Provision	7/8 Inch Knockout and Angle Bracket For Barrel Lock Provision
Number Of Receptacles	0

Please consult serving utility for their requirements prior to ordering or installing, as specifications and approvals vary by utility and may require local electrical inspector approval. All installations must be installed by a licensed electrician and must comply with all national and local codes, laws and regulations. Milbank reserves the right to make changes in specifications and features shown without notice or obligation.

FEATURE TABLE		
ITEM	QTY	DESCRIPTION
A	4	TRANS. MNTG.EMBOSS
B	1	½, ¾, 1, 1¼ CONC. K.O.
C	3	2, 2½, 3, 3½, 4 CONC. K.O.



Version:

1

**All dimensions are +/- 1/16".
Drawing views are not to scale.**

Please consult serving utility for their requirements prior to ordering or installing, as specifications and approvals vary by utility, and may require local electrical inspector approval. All installations must be installed by a licensed electrician and must comply with all national and local codes, laws and regulations. Milbank reserves the right to make changes in specifications and features shown without notice or obligation.