



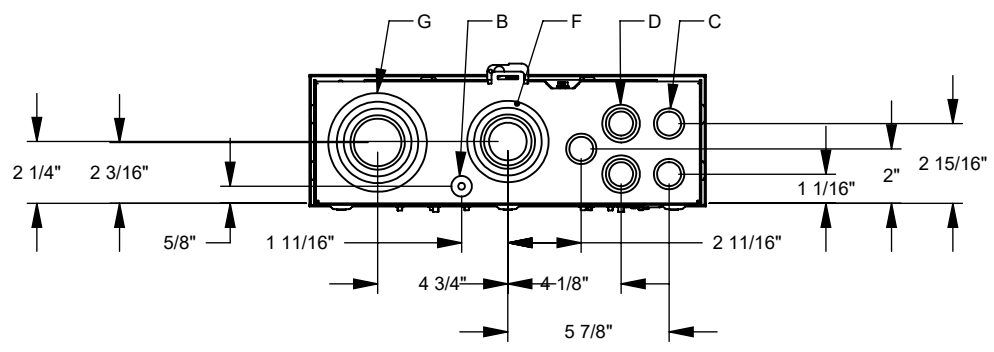
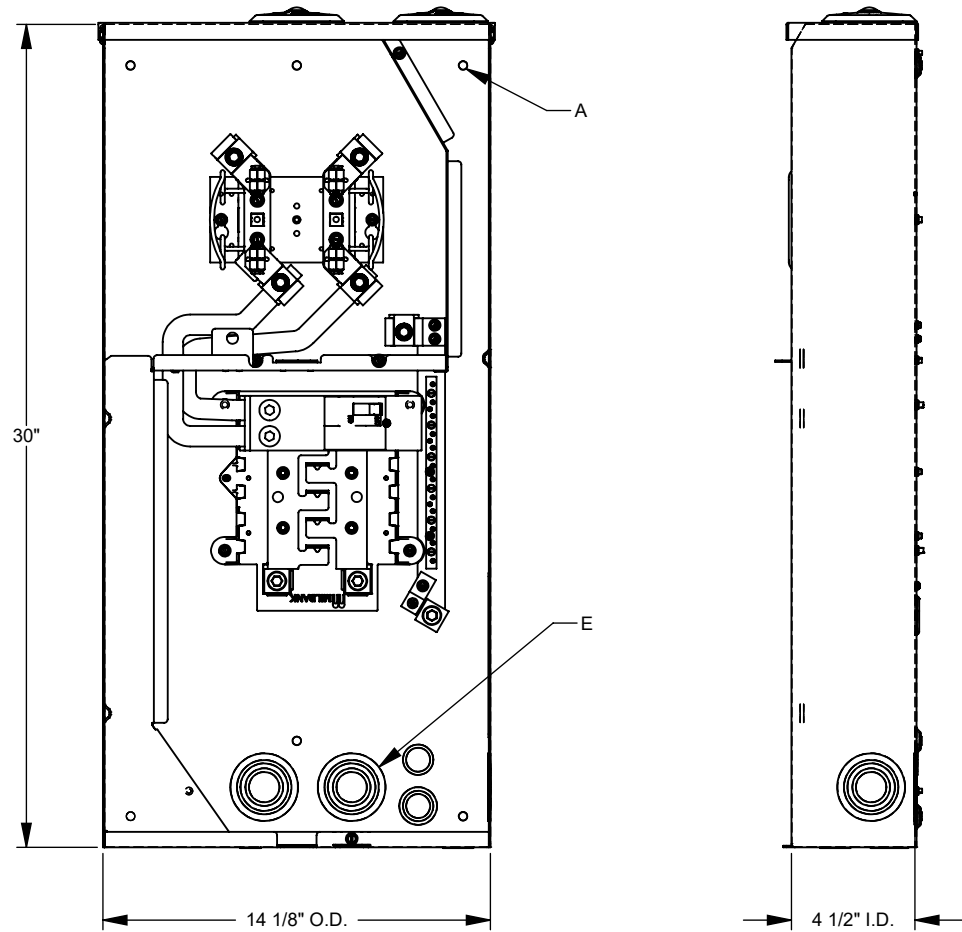
**MILBANK**  
ENERGY AT WORK

## U5168-XTL-150-KK

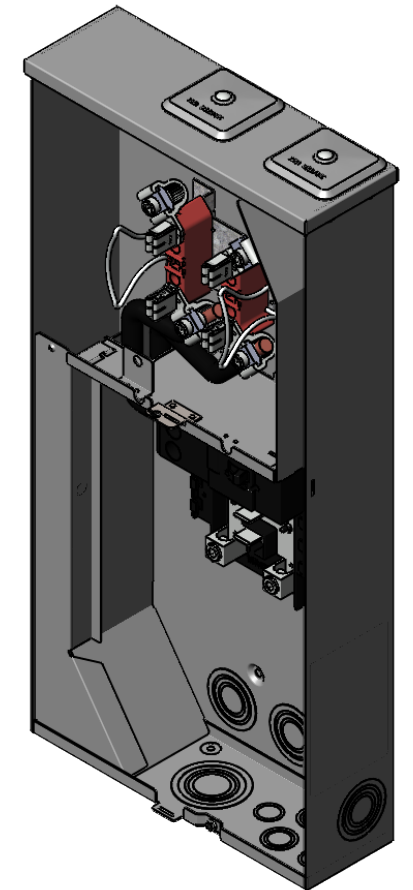


Catalog Number	U5168-XTL-150-KK	Insulation	Glass Polyester
Marketing Product Description	4 Terminal Ringless 2 Small Closing Plates 1-150 Ampere Main Breaker 8 Branch Circuit Horn Bypass	Mounting	Surface Mount
UPC	784572475342	Enclosure	G90 Galvanized Steel with Powder Coat Finish
Length (IN)	4.5	Jaw Quantity	4 Terminal
Width (IN)	14.125	Bypass Type	Horn Bypass
Height (IN)	30	Number of Meter Positions	1 Position
Brand Name	Milbank	Equipment Ground	Ground Bar
Type	Ringless Meter Socket	Hub Opening	Twin Small Closing Plates
Application	Meter Socket With Main And Load Center	Line Side Wire Range	6 AWG - 350 kcmil
Standard	UL Listed;Type 3R	Load Side Wire Range	6 AWG - 350 kcmil
Voltage Rating	Up to 240 Volts Alternating Current	Number Branch Circuits	8
Amperage Rating	200 Continuous Ampere	Number Of Receptacles	0
Phase	1 Phase		
Frequency Rating	60 Hertz		
Size	4.5L x 14.125W x 30H		
Number Of Cutouts	1		
Cutout Size	One 150 Ampere Main Breaker		
Cable Entry	Overhead or Underground		
Terminal	Lay in		

Please consult serving utility for their requirements prior to ordering or installing, as specifications and approvals vary by utility and may require local electrical inspector approval. All installations must be installed by a licensed electrician and must comply with all national and local codes, laws and regulations. Milbank reserves the right to make changes in specifications and features shown without notice or obligation.



FEATURE TABLE		
ITEM	QTY	DESCRIPTION
A	6	U/L MNTG.EMBOSS
B	1	1/4, 1/2 CONC. K.O.
C	4	1/2, 3/4 CONC. K.O.
D	2	1/2, 3/4, 1 CONC. K.O.
E	3	3/4, 1, 1 1/4, 1 1/2, 2 CONC. K.O.
F	1	1, 1 1/4, 1 1/2, 2, 2 1/2 CONC. K.O.
G	1	1 1/4, 1 1/2, 2, 2 1/2, 3 CONC. K.O.



Version:

**1**

**All dimensions are +/- 1/16".  
Drawing views are not to scale.**

Please consult serving utility for their requirements prior to ordering or installing, as specifications and approvals vary by utility, and may require local electrical inspector approval. All installations must be installed by a licensed electrician and must comply with all national and local codes, laws and regulations. Milbank reserves the right to make changes in specifications and features shown without notice or obligation.