



MILBANK
ENERGY AT WORK

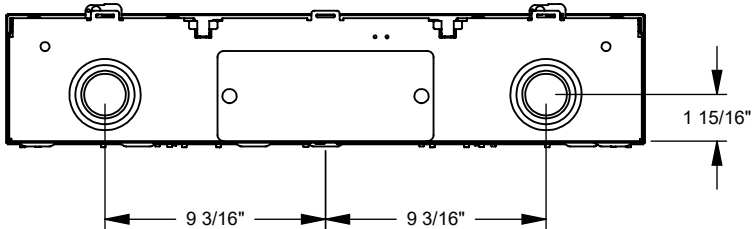
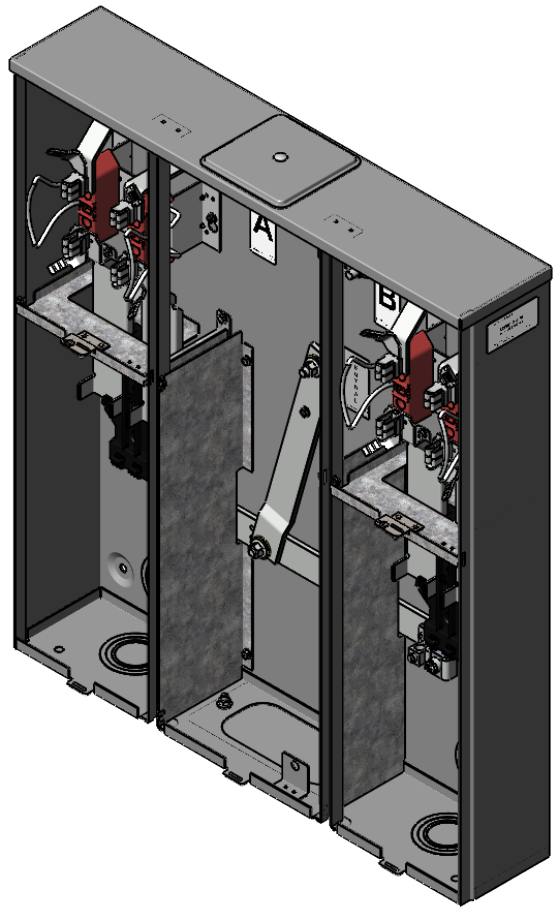
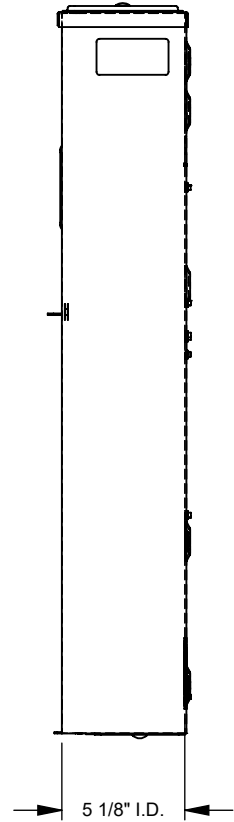
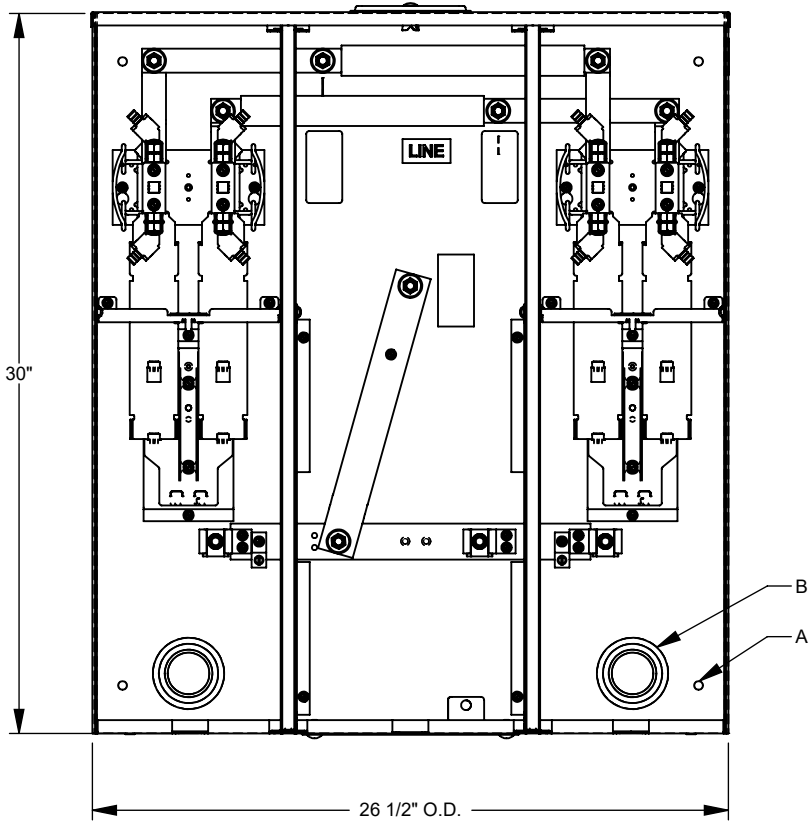
U5882-X-KK-K1-PED-CECHA



Catalog Number	U5882-X-KK-K1-PED-CECHA	Terminal	Single Mechanical
Marketing Product Description	4 Terminal Ringless Large Closing Plate Horn Bypass 2 Position 2-200 Ampere Main Breaker Provision Single Connector 6-350kcmil Pedestal Mount Provision Horizontal Commonwealth Edison Chicago Housing Authority	Insulation	Glass Polyester
UPC	784572674325	Mounting	Surface Mount
Length (IN)	5.125	Enclosure	G90 Galvanized Steel with Powder Coat Finish
Width (IN)	26.5	Jaw Quantity	4 Terminal
Height (IN)	30	Bypass Type	Horn Bypass
Brand Name	Milbank	Number of Meter Positions	2 Positions
Type	Ringless Meter Socket	Equipment Ground	Ground Lug
Application	Meter Socket With Main	Hub Opening	Large Closing Plate
Standard	UL Listed;Type 3R	Line Side Wire Range	6 AWG - 350 kcmil
Voltage Rating	Up to 240 Volts Alternating Current	Load Side Wire Range	1 AWG - 300 kcmil
Amperage Rating	200 Continuous Ampere	Number Of Receptacles	0
Phase	1 Phase		
Frequency Rating	60 Hertz		
Size	5.125L x 26.5W x 30H		
Number Of Cutouts	2		
Cutout Size	Breaker Provision		
Cable Entry	Overhead or Underground		

Please consult serving utility for their requirements prior to ordering or installing, as specifications and approvals vary by utility and may require local electrical inspector approval. All installations must be installed by a licensed electrician and must comply with all national and local codes, laws and regulations. Milbank reserves the right to make changes in specifications and features shown without notice or obligation.

FEATURE TABLE		
ITEM	QTY	DESCRIPTION
A	4	TRANS. MNTG.EMBOSS
B	4	1¼, 1½, 2, 2½ CONC. K.O.



Version:

1

All dimensions are +/- 1/16".
Drawing views are not to scale.

Please consult serving utility for their requirements prior to ordering or installing, as specifications and approvals vary by utility, and may require local electrical inspector approval. All installations must be installed by a licensed electrician and must comply with all national and local codes, laws and regulations. Milbank reserves the right to make changes in specifications and features shown without notice or obligation.