



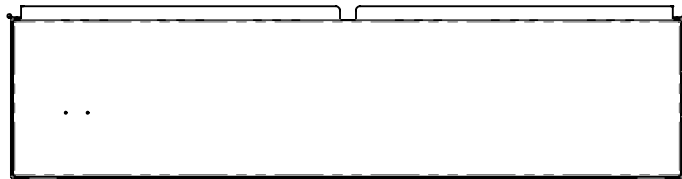
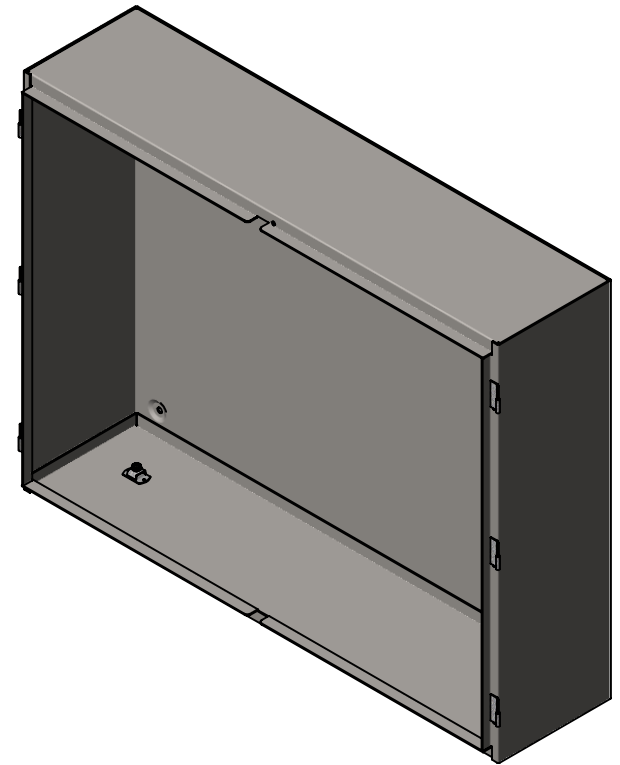
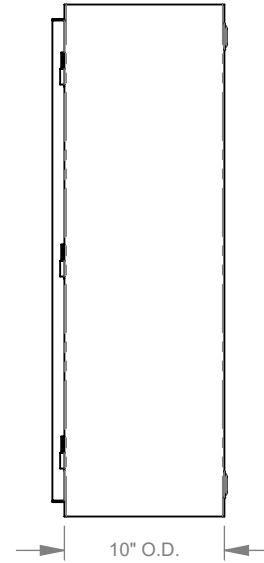
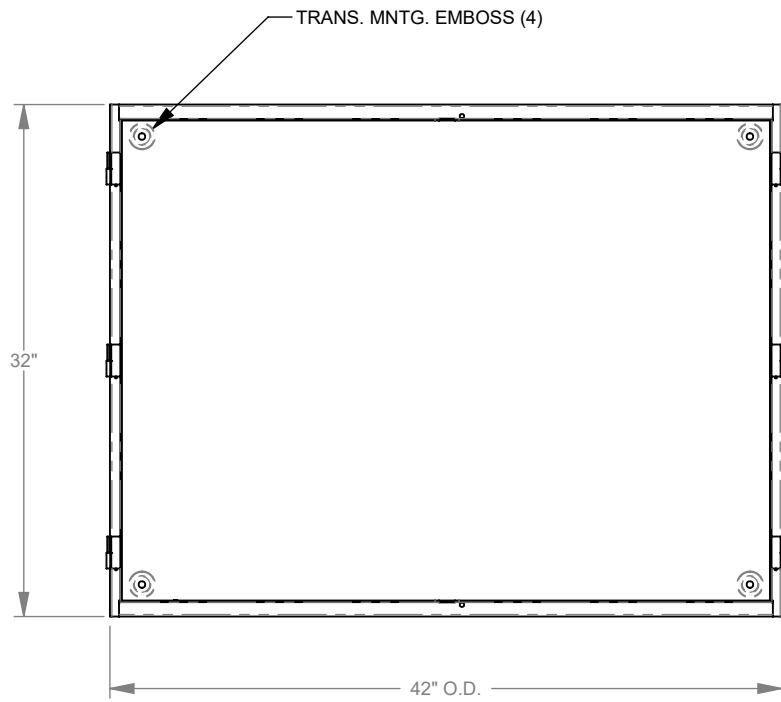
MILBANK[®]
ENERGY AT WORK

324210-CTC1-SP



Catalog Number	324210-CTC1-SP	Top	Plain Top
Marketing Product Description	42x10x32 Hinge Cover Type 1 UL Listed Steel No Knockouts ANSI 61 Gray Double Door Lift Off Hinges Wing Nut With Drilled Hole For Latching	Door	2 Doors
UPC	784572677814	Latch	Wing Nuts for Latching
Length (IN)	10	Support	No Center Post
Width (IN)	42	Depth	10
Height (IN)	32		
Weight (LB)	132		
Brand Name	Milbank		
Type	Hinge Cover		
Application	Enclosure for Mounting Electrical Equipment		
Standard	UL Listed		
Number Of Outlet	0		
Material	Steel with Powder Coat Finish		
Size	10L x 42W x 32H		
Color	ANSI 61 Gray		
Construction	Welded		
Cable Entry	No Knockouts		
Mounting	Wall Mount		
NEMA Rating	Type 1		
Hinge Type	Lift Off Hinges		

Please consult serving utility for their requirements prior to ordering or installing, as specifications and approvals vary by utility and may require local electrical inspector approval. All installations must be installed by a licensed electrician and must comply with all national and local codes, laws and regulations. Milbank reserves the right to make changes in specifications and features shown without notice or obligation.



Version:

1

**All dimensions are +/- 1/16".
Drawing views are not to scale.**

Please consult serving utility for their requirements prior to ordering or installing, as specifications and approvals vary by utility, and may require local electrical inspector approval. All installations must be installed by a licensed electrician and must comply with all national and local codes, laws and regulations. Milbank reserves the right to make changes in specifications and features shown without notice or obligation.