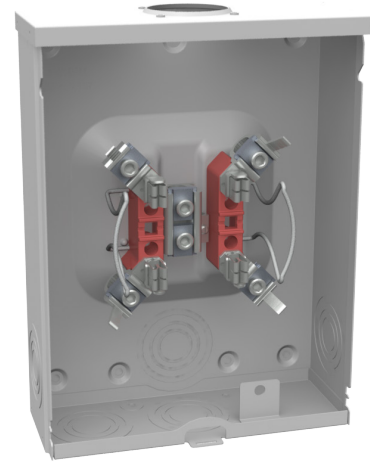




MILBANK
ENERGY AT WORK

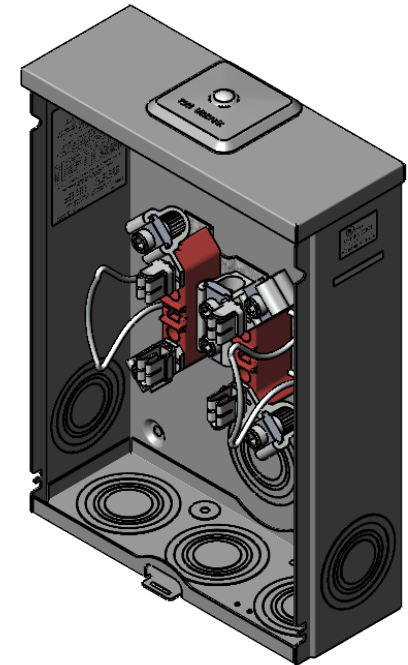
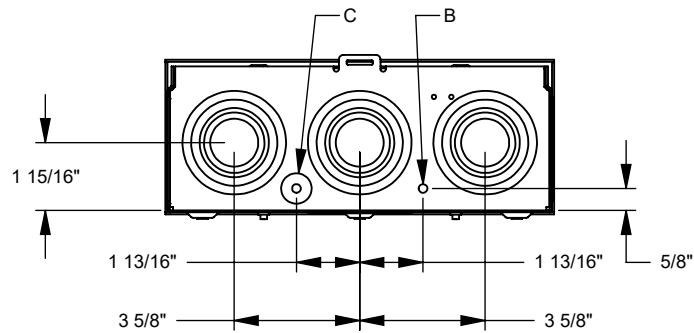
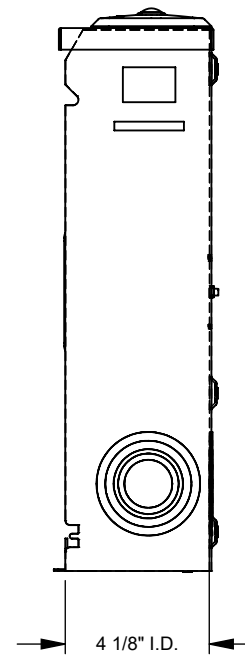
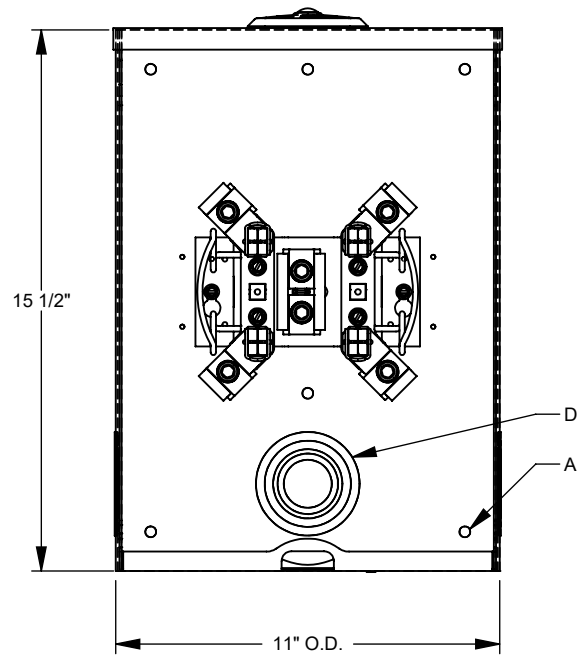
UAP7040-RL-TG-KK-BLG-AEP



Catalog Number	UAP7040-RL-TG-KK-BLG-AEP	Insulation	Glass Polyester
Marketing Product Description	4 Terminal Ringless Small Hub Open Triplex Ground Horn Bypass 7-8 In Barrel Lock Ground With Bracket Provision Aluminum Painted American Electric Power	Mounting	Surface Mount
UPC	784572706484	Enclosure	Aluminum with Powder Coat Finish
Length (IN)	4.125	Jaw Quantity	4 Terminal
Width (IN)	11	Bypass Type	Horn Bypass
Height (IN)	14.563	Number of Meter Positions	1 Position
Brand Name	Milbank	Equipment Ground	Triplex Ground
Type	Ringless Meter Socket	Hub Opening	Small Hub Opening
Special Features	American Electric Power	Line Side Wire Range	6 AWG - 350 kcmil
Application	Meter Socket	Load Side Wire Range	6 AWG - 350 kcmil
Standard	UL Listed;Type 3R	Barrel Lock Provision	7/8 Inch Knockout and Angle Bracket For Barrel Lock Provision
Voltage Rating	600 Volts Alternating Current	Number Of Receptacles	0
Amperage Rating	200 Continuous Ampere		
Phase	1 Phase		
Frequency Rating	60 Hertz		
Size	4.125L x 11W x 14.563H		
Number Of Cutouts	0		
Cutout Size	No Main Breaker		
Cable Entry	Overhead or Underground		
Terminal	Lay in		

Please consult serving utility for their requirements prior to ordering or installing, as specifications and approvals vary by utility and may require local electrical inspector approval. All installations must be installed by a licensed electrician and must comply with all national and local codes, laws and regulations. Milbank reserves the right to make changes in specifications and features shown without notice or obligation.

FEATURE TABLE		
ITEM	QTY	DESCRIPTION
A	6	U/L MNTG.EMBOSS
B	1	¼ SOLID K.O.
C	1	¼, ½ CONC. K.O.
D	6	1, 1¼, 1½, 2, 2½ CONC. K.O.



Version:

1

**All dimensions are +/- 1/16".
Drawing views are not to scale.**

Please consult serving utility for their requirements prior to ordering or installing, as specifications and approvals vary by utility, and may require local electrical inspector approval. All installations must be installed by a licensed electrician and must comply with all national and local codes, laws and regulations. Milbank reserves the right to make changes in specifications and features shown without notice or obligation.