



MILBANK
ENERGY AT WORK

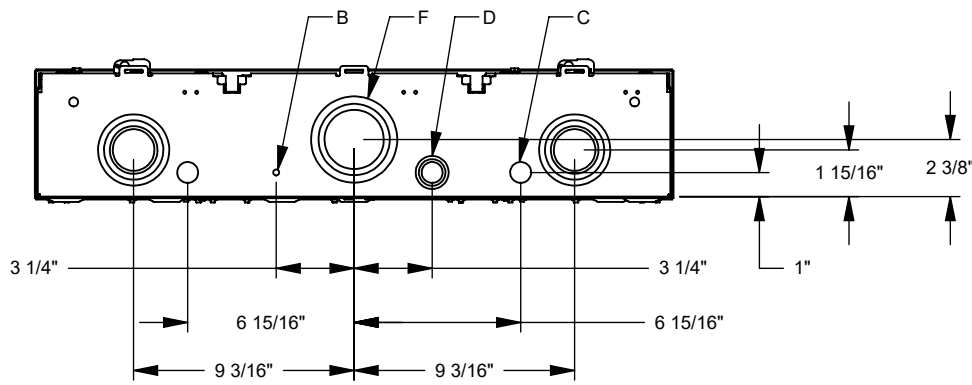
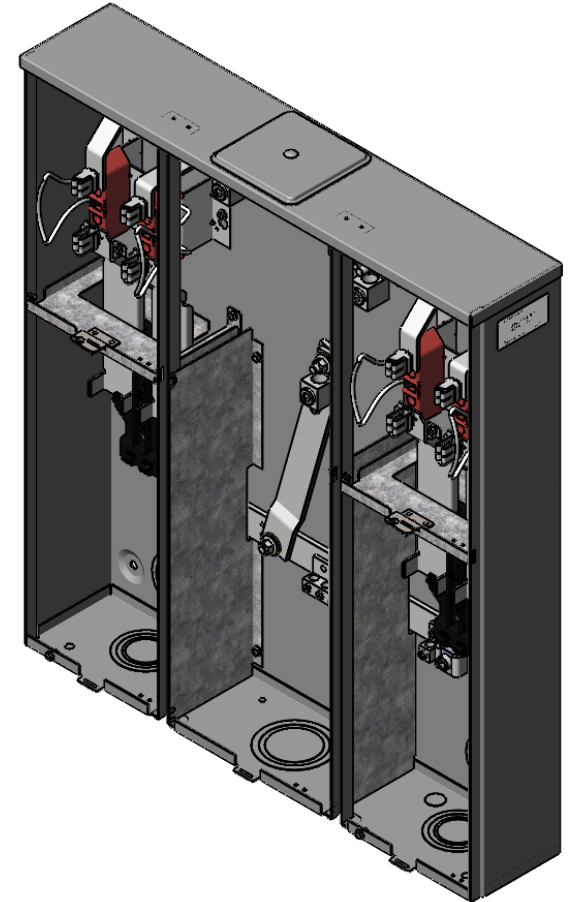
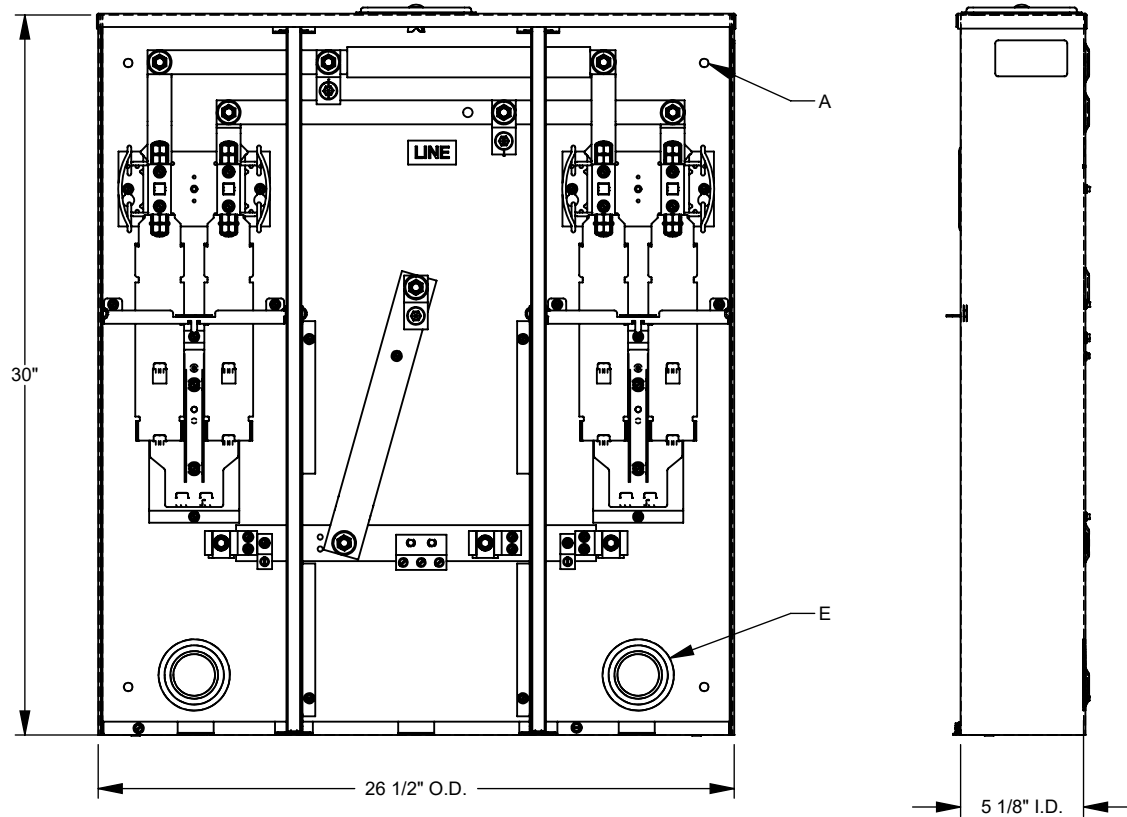
U5882-X-2/200-KK-K3-PEP



Catalog Number	U5882-X-2/200-KK-K3-PEP	Insulation	Glass Polyester
Marketing Product Description	4 Terminal Ringless Large Closing Plate Horn Bypass 2 Position 2-200 Ampere Main Breaker Double Connector 6-350kcmil Pepco	Mounting	Surface Mount
UPC	784572726406	Enclosure	G90 Galvanized Steel with Powder Coat Finish
Length (IN)	5.125	Jaw Quantity	5 Terminal
Width (IN)	26.5	Bypass Type	Horn Bypass
Height (IN)	30	Number of Meter Positions	2 Positions
Brand Name	Milbank	Equipment Ground	Ground Lug
Type	Ringless Meter Socket	Hub Opening	Large Closing Plate
Application	Meter Socket With Main	Line Side Wire Range	4 AWG - 600 kcmil or Two 1/0 AWG - 250 kcmil
Standard	UL Listed;Type 3R	Number Of Receptacles	0
Voltage Rating	Up to 240 Volts Alternating Current		
Amperage Rating	200 Continuous Ampere		
Phase	1 Phase		
Frequency Rating	60 Hertz		
Size	5.125L x 26.5W x 30H		
Number Of Cutouts	2		
Cutout Size	Two 200 Ampere Main Breakers		
Cable Entry	Overhead or Underground		
Terminal	Single Mechanical		

Please consult serving utility for their requirements prior to ordering or installing, as specifications and approvals vary by utility and may require local electrical inspector approval. All installations must be installed by a licensed electrician and must comply with all national and local codes, laws and regulations. Milbank reserves the right to make changes in specifications and features shown without notice or obligation.

FEATURE TABLE		
ITEM	QTY	DESCRIPTION
A	4	TRANS. MNTG.EMBOSS
B	1	1/4 SOLID K.O.
C	2	7/8 SOLID K.O.
D	1	1/2, 3/4, 1 CONC. K.O.
E	4	1 1/4, 1 1/2, 2, 2 1/2 CONC. K.O.
F	1	2, 2 1/2, 3 CONC. K.O.



Version:

1

**All dimensions are +/- 1/16".
Drawing views are not to scale.**

Please consult serving utility for their requirements prior to ordering or installing, as specifications and approvals vary by utility, and may require local electrical inspector approval. All installations must be installed by a licensed electrician and must comply with all national and local codes, laws and regulations. Milbank reserves the right to make changes in specifications and features shown without notice or obligation.