



**MILBANK**<sup>®</sup>  
ENERGY AT WORK

## U6158-O-MNV

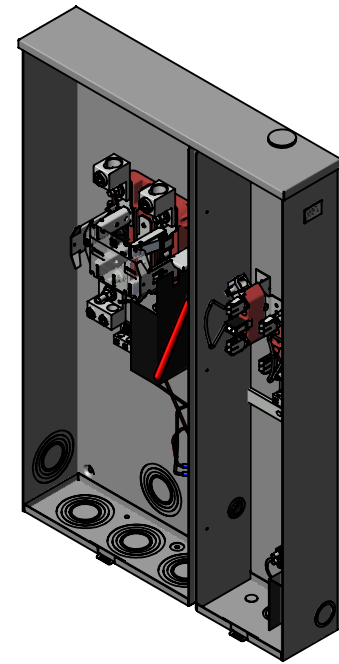
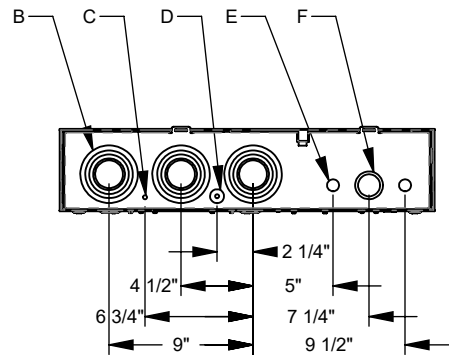
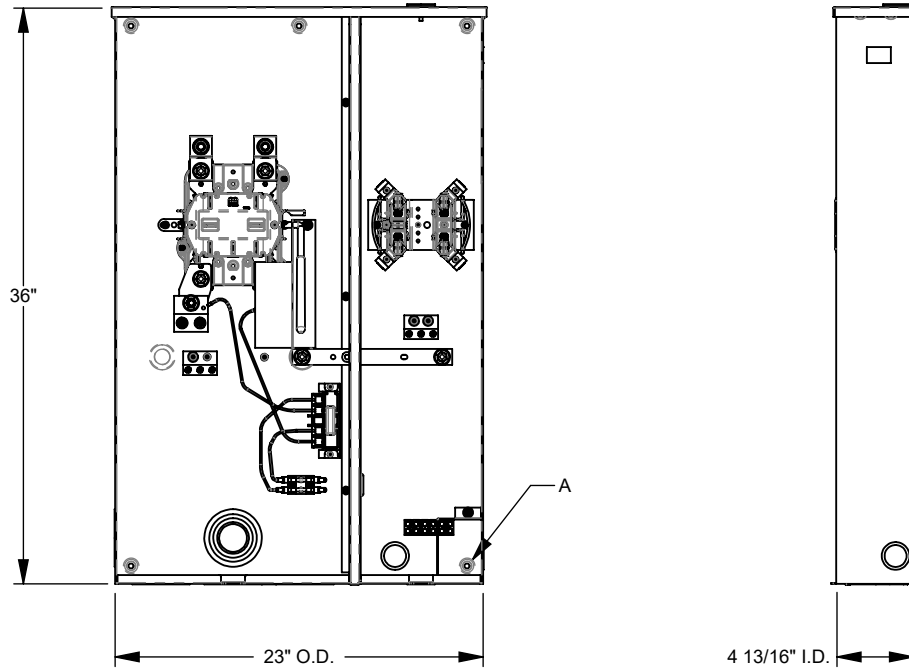


Catalog Number	U6158-O-MNV
Marketing Product Description	4 Terminal Ringless Plain Top 2 Position 1-320 Ampere 1-100 Ampere Lever Bypass Minnesota Valley
UPC	784572747517
Length (IN)	4.844
Width (IN)	23
Height (IN)	36
Brand Name	Milbank
Type	Ringless Meter Socket
Application	Meter Socket
Standard	UL Listed;Type 3R
Voltage Rating	600 Volts Alternating Current
Amperage Rating	320 Continuous Ampere
Phase	1 Phase
Frequency Rating	60 Hertz
Size	4.844L x 23W x 36H
Number Of Cutouts	0
Cutout Size	No Main Breaker
Cable Entry	Underground
Terminal	Single Mechanical
Insulation	Glass Polyester
Mounting	Surface Mount

Enclosure	G90 Galvanized Steel with Powder Coat Finish
Jaw Quantity	4 Terminal
Bypass Type	Lever Bypass
Number of Meter Positions	2 Positions
Equipment Ground	Triplex Ground
Hub Opening	Plain Top
Load Side Wire Range	6 AWG - 350 kcmil
Number Of Receptacles	0

Please consult serving utility for their requirements prior to ordering or installing, as specifications and approvals vary by utility and may require local electrical inspector approval. All installations must be installed by a licensed electrician and must comply with all national and local codes, laws and regulations. Milbank reserves the right to make changes in specifications and features shown without notice or obligation.

FEATURE TABLE		
ITEM	QTY	DESCRIPTION
A	5	U/L MNTG.EMBOSS
B	5	1¼, 1½, 2, 2½, 3 CONC. K.O.
C	1	¼ SOLID K.O.
D	1	¼, ½ CONC. K.O.
E	2	¼ SOLID K.O.
F	4	1, 1¼ CONC. K.O.



Version:

1

All dimensions are +/- 1/16".  
Drawing views are not to scale.

Please consult serving utility for their requirements prior to ordering or installing, as specifications and approvals vary by utility, and may require local electrical inspector approval. All installations must be installed by a licensed electrician and must comply with all national and local codes, laws and regulations. Milbank reserves the right to make changes in specifications and features shown without notice or obligation.